

SPECIFICATION

High Quality Switching Desktop Adapter

**Universal AC Input
40W 12VDC 3.3A Output**

P/N: A120033ENL

****Specification Approval****

This specification (total 7 pages including cover page) is approved in it's entirety by:

Company Name	Print Name	Signature	Date
--------------	------------	-----------	------



Santa Clara CA95054
Tel: 1-408-980-9813
Fax: 1-408-980-8626
Email: infor@topmicro.com
Web: www.topmicro.com
031009V1.0

1. General

This specification describes a universal switching-mode power supply, P/N: A120033ENL, operating at input voltage 90 to 264VAC and providing single 40W 12VDC output.

2. Electric

2.1 Input

No	ITEM	SPECIFICATION
1.	Rated Input Voltage	AC100V-240V
	Input Voltage Range	AC90V-264V
2.	Rated Input Frequency	50-60Hz
	Frequency Range	47-63Hz
3.	Rated Input Current	1.0A
4.	Leakage Current	<3.5mA
5.	Efficiency	85% CEC 5 Compliant
6.	Standby Power (no-load)	CEC 5 Compliant

2.2 Output

No	ITEM	SPECIFICATION
1.	Output Voltage	12VDC
2.	Output Max. Current	3300mA
3.	Output Min. Current	0A
4.	Line and Load Regulation	± 5%
6.	Over Voltage Protection	Protect through primary circuit IC
7.	Short Circuit Protection	Output shut down and auto restart
8.	Ripple Voltage	200mV (P-P) 100-240VAC full load

2.3 Regulatory Approval:

UL/cUL, GS, PSE, CB (IEC-60950-1 2nd Edition with Europe, Australia, Korea, and Japan deviations), Australia RCM (C-Tick and SAA), Australia MEPS (Mark V), US DOE (Mark V)

2.4 EMI Standard:

FCC (Part 15, Class B), CE (EN55022 and EN55024)

2.5 Environmental Compliance:

RoHS, WEEE, Packaging

3. Mechanical

3.1 AC Plug:

Inlet IEC320/C14 3Pin Type.

3.2 DC Cord Bend Test:

Bending test: Life 1000 times 100% guarantee. Swings 120 from left to right loading weight 500g , 40 cycle/minute.

3.2 DC Cord Pull Test:

Pull test: DC cord and plug, weight 6kg for 1 minute.

3.5 Case Size:

(L)80x (W)50x(H) 31mm

3.7 Temperature

Operating: 0C to +40C

Storage : -10C to +75C

3.8 Humidity

Operating: 20% to 85%.

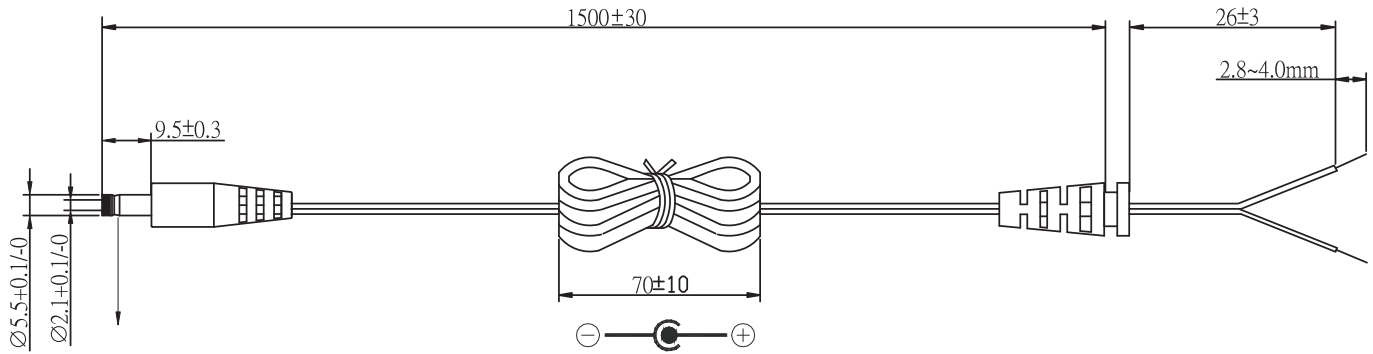
Storage: 10% to 95%

4. DC Cable and Plug

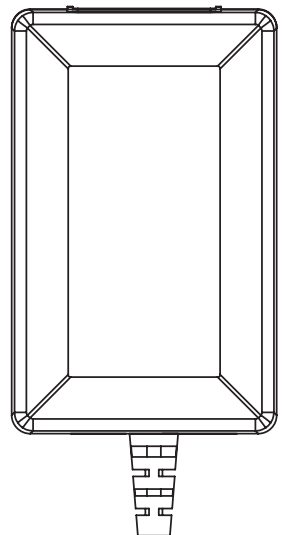
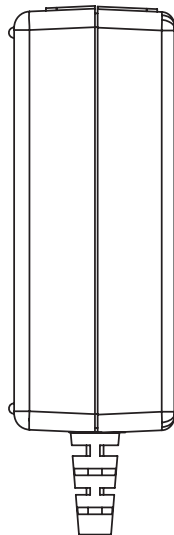
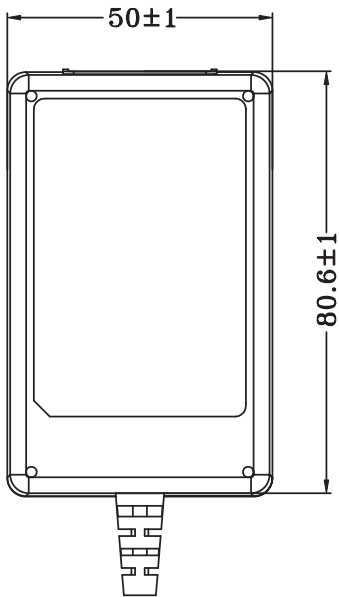
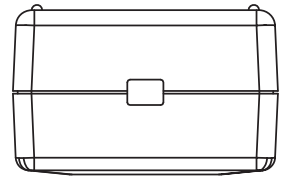
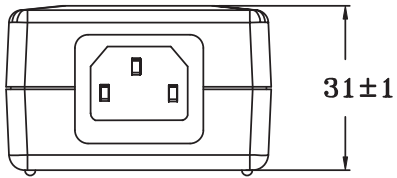
Body and Outjacket PVC Color: Black

RoHS Compliance: Body and all components including DC cable and plug.

Unit: mm



5. Mechanical Drawing



6. Label

