

SPECIFICATION

High Quality Switching Power Adapter

**80W 12VDC 6.67A Output
Universal AC Input**

P/N: A1200667LN1

**** Specification Approval****

This specification (total 6 pages including cover page) is approved in it's entirety by:

Company Name

Print Name

Signature

Date



3261 Keller St.
Santa Clara CA 95054
Tel: 1-408-980-9813
Fax: 1-408-980-8626
Email: infor@topmicro.com
Web: www.topmicro.com

1. INPUT:**Input Range:**

Parameter	Conditions / Description	Min	Nom	Max.	Units
Voltage	Universal-ranging	90	115	264	Vac
			230		
Current	90W Load @115Vac	--	--	1.2	Arms
	90W Load @230Vac	--	--	0.6	Arms
Frequency	Auto-ranging	47	50/60	63	Hz

Inrush Surge Current:

Cold Start @115Vac, at 25°	-----	< 40 Ap-p
Cold Start @230Vac, at 25°	-----	< 80 Ap-p

2. OUTPUT:**Output Power:**

Convection Rating	-----	80W Max.
-------------------	-------	----------

Output Range:

Voltage (Vdc)		Load Range (A)		Line Regulation (0.5%)	Load Regulation (%) (Note 1)	Ripple&Noise (PARD) (mVp-p) (Note 2)
		MIN.	Max. (Convection)			
S2	+12V	0A	6.67A		11.4~12.6Vdc (±5%)	120mVp-p

Note: 1.Load regulation is tested at 10% to 100% of rated load.

2.Peak-to-peak for 90W(convection rating) @115Vac MIN. ; Measurements with a 20MHZ bandwidth and terminated with a 10uF electrolytic CAP in parallel with a 0.1uF ceramic Cap.

Transient(Dynamic) Response:(0.1A/uS slew rate with 50%~100% load change @100HZ)

Recovery Time to steady state	-----	< 1mS
Voltage Deviation	-----	< 10%

Overshoot/Undershoot:

Turn-on / turn-off @115/230 Vac, Full Lad	-----	< 10%
---	-------	-------

3. GENERAL:**Efficiency:**

Full Load @ 115Vac	-----	> 84%
Full Load @ 230Vac	-----	> 84%

Turn-on Time:

Full Load @115/230 Vac	-----	< 3Sec
------------------------	-------	--------

Hold-up Time:

Full Load @115/230 Vac	-----	> 16mSec
------------------------	-------	----------

Safety Ground Leakage Current:

Type@230Vac 50Hz	-----	< 0.25mA
------------------	-------	----------

Withstand(Isolation) Voltage: (UI60950 ; En60950)

4242Vdc, 1 Minute from Input(L1&L2) to Output	-----	< 10mA
Input(L1&L2) to Output @ DC 500V	-----	> 100M
Input(L1&L2) to Earth @ DC 500V	-----	> 100MΩ

Weight:

Not Include Packing	-----	< 550G
---------------------	-------	--------

4. PROTECTION:**Brown-Out Protection: (Input Voltage drops down to zero then back to nominal slowly)**

All Outputs	-----	Auto-recovery
-------------	-------	---------------

Overvoltage Protection: (Latch off the outputs and need to reset the input to recover the outputs

Overvoltage Range 160% Max@Full Load.

Overcurrent(Overload) Protection: (Overcurrent Range @110%~160% Above Rating Load

All Outputs	-----	Auto-recovery
-------------	-------	---------------

Short Circuit Protection:

All Outputs	-----	Auto-recovery
-------------	-------	---------------

Overtemperature Protection: (Latch off the outputs and reset the input to recover the outputs

Optional.

5. ELECTROMAGNETIC COMPATIBILITY:

Electromagnetic Interference(EMI/RFI):

FCC PART 15 Conducted/Radiated Emissions	-----	ClassB
CISPR 22 Conducted/Radiated Emissions	-----	ClassB
EN55022 Conducted/Radiated Emissions	-----	ClassB

Harmonic Current:

EN61000-3-2 Class D (Power Factor Correction)	-----	> 0.9
---	-------	-------

Voltage Variation Immunity(Flicker):

EN61000-3-3	-----	Compliant
-------------	-------	-----------

Electrostatic Discharge(ESD) Susceptibility:

EN61000-4-2 ; ±8KV Air Discharge	-----	Criterion A
EN61000-4-2 ; ±4KV Contact Discharge	-----	Criterion A
EN61000-4-2 ; ±4KV Indirect Discharge	-----	Criterion A

Radiated Susceptibility(RS):

EN61000-4-3 ; 3V/M	-----	Criterion A
--------------------	-------	-------------

Electrical Fast Transient(EFT)/Burst:

EN61000-4-4 ; Impulse ±1KV	-----	Criterion A
----------------------------	-------	-------------

Surge Susceptibility(Input Transient Protection):

EN61000-4-5 ; ±1KV Line(L1) to Neutral(L2)	-----	Criterion A
--	-------	-------------

Conducted RF Immunity:

EN61000-4-6 ; 3V	-----	Criterion A
------------------	-------	-------------

Voltage Dips/Interruptions:

EN61000-4-11 ; Dips	-----	Criterion A
EN61000-4-11 ; Interceptions	-----	Criterion A

6. SAFETY STANDARDS:

UL 60950
 cUL 60950
 TUV EN 60950
 CB
 CE

7. ENVIRONMENTAL:

Temperature

Operating Range ----- 0 ~ 40
 Storage Range ----- -40 ~ 85?

Relative humidity

Non-Condensing ----- 5 % ~ 95 % RH

Vibration

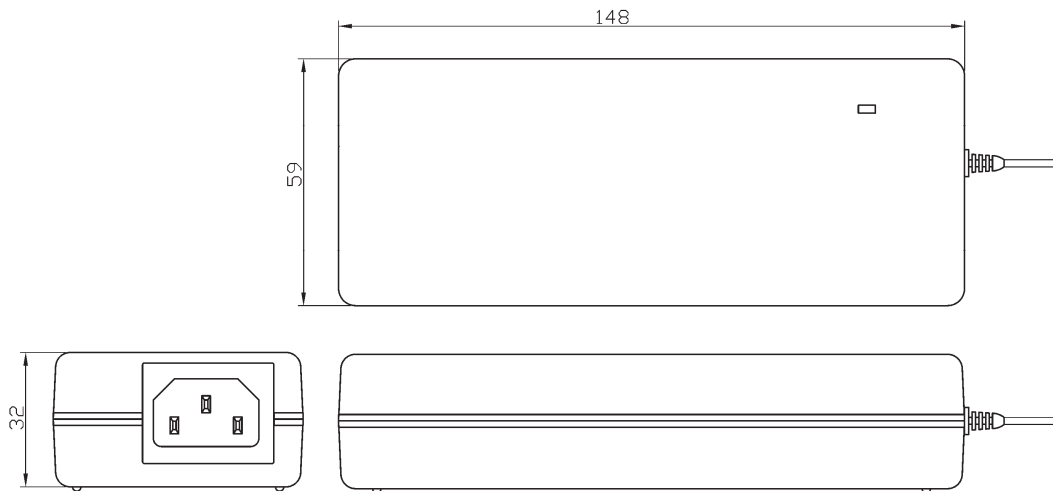
Random- Operating , 3 axes , 50~500Hz , 10 minutes/axis ----- 2.4Grms Max.

Shock:

Operating , Half Sine , 3 axes , 10 mS , 6 shocks total ----- 20Gpk Max..

8. MECHANICAL:

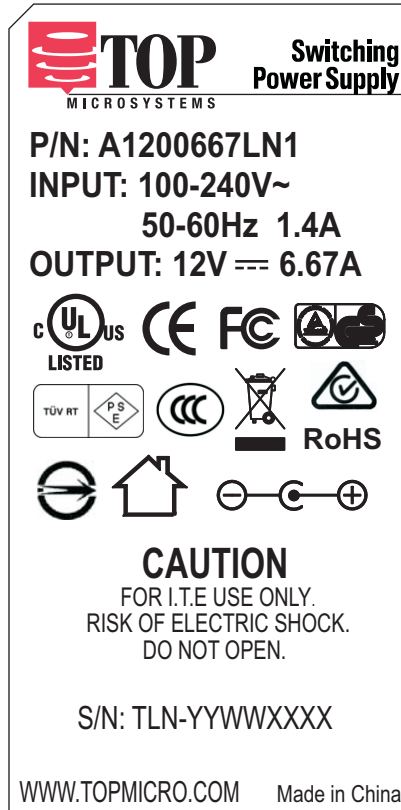
Drawing & Dimensions



Connector Types & Pin Assignments

Connctor Number	Connector Type	Pin Number	Signal
AC Inlet (Input)	IEC320 C14 AC Inlet	Pole 1 Pole 2 Pole 3	FG LINE NEUTRAL
(Output)	TBD		OUTPUT RETURN

9. LABEL:



10. PACKAGE

Paper Box & Carton

