

Specification

P/N: LHK-D12-50

**High Quality AC/DC
Linear Wallmount Adaptor
6W 12VDC 500mA Output
120VAC Input**

*** Specification Approval ***

This specification (total 10 pages including cover page) in its entirety is approved by:

Company Name

Print Name

Signature

Date

Specification subject to change without prior notice.



3261 Keller St.
Santa Clara, CA 95054
Tel: 408-980-9813
Fax: 408-980-8626
E-mail: infor@topmicro.com
Online: www.topmicro.com

INDEX

SPECIFICATION-----	3
OVERALL DRAWING-----	4
ILLUSTRATION-----	5
MATERIAL LIST-----	6
NAMEPLATE-----	7
INNER BOX DRAWING-----	8
PACKAGE DRAWING-----	9
ADP & TRS TEST REPORT-----	10

CORE TYPE: EI-41

1. SURFACE :damage,rusting,foam not permitted.
2. STRAIN RELIEF TEST: 20LBS for 60 seconds in any direction.
3. CHARACTERISTICS:

3.1 PRIMARY RATED VOLTAGE & LINE FREQUENCY: 120 VAC 60Hz.

3.1.1 EXCITING CURRENT(Io): 70 mA MAX.At primary rated voltage.

3.2 SECONDARY RATED VOLTAGE AND CURRENT:

RATED VOLTAGE		RATED CURRENT		NO LOAD VOLTAGE	RIPPLE VOLTAGE	REMARK
DC	12V±5%	DC	500mA	DC 17.5VMAX		

3.3 HI-POT TEST: Shall withstand without breakdown 1.5 KV 60 Hz for one minute between blades and output plug and case.At an alternative potentials 20% higher may be applied for one second.(sensitivity current: 1 mA)

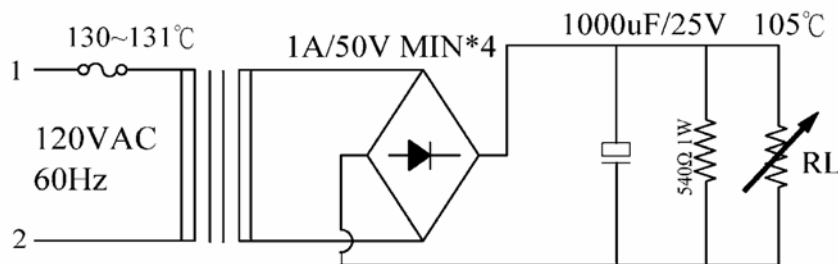
3.4 INSULATION TEST : 500 VDC 100 megaohm min.between blades and output plug and case.

3.5 TEMPERATURE RISE : 75 °C Max. (at 25°C) with load show on the circuit.

3.6 THIS SPECIFICATION SUBJECT TO: UL1310/CSA C22.2 NO.223

3.7 The adaptor meet requirement of lead free and RoHS.

4. CIRCUIT DIAGRAM:



5. OUTPUT PLUG: $5.5^{±0.1} * 2.1^{±0.1} * 10^{±1.0}$ (L-D), OUTPUT CORD:AWG#24 UL2468 ,6.0FT MIN.

POLARITY:

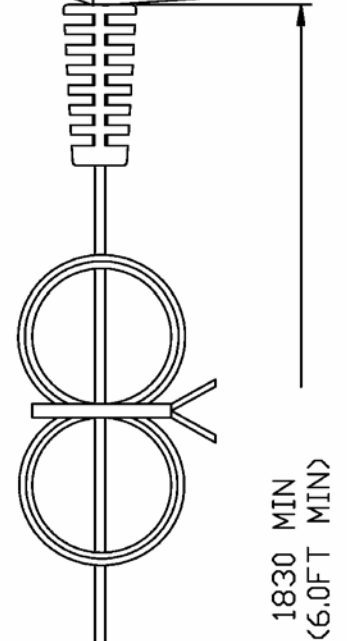
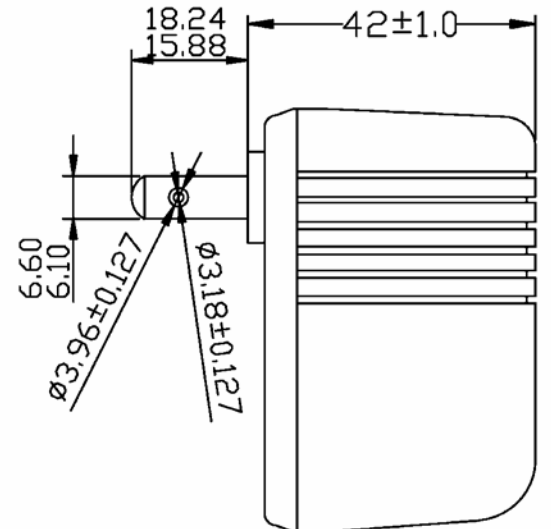
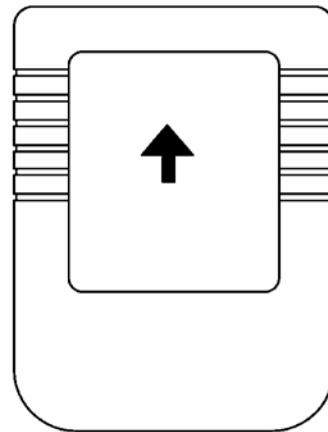
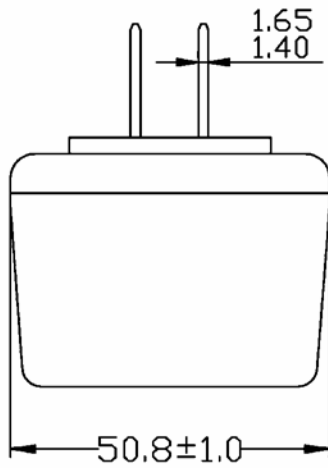
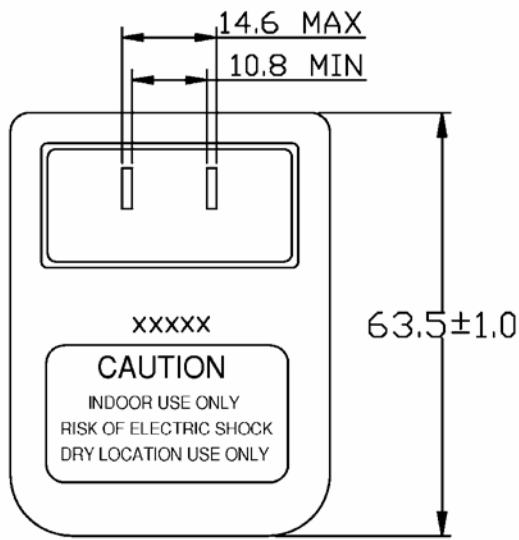
6. STORAGE TEMPERATURE : -5°C ~ 60°C

7. OPERATION TEMPERATURE : -5°C ~ 30°C

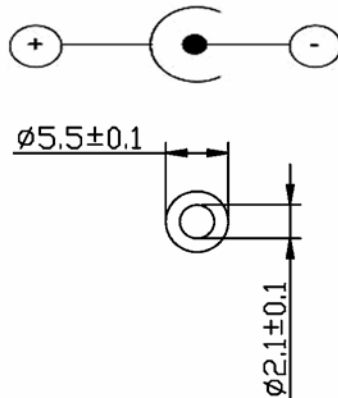
8. UNIT NET WEIGHT: 251.9g±5%

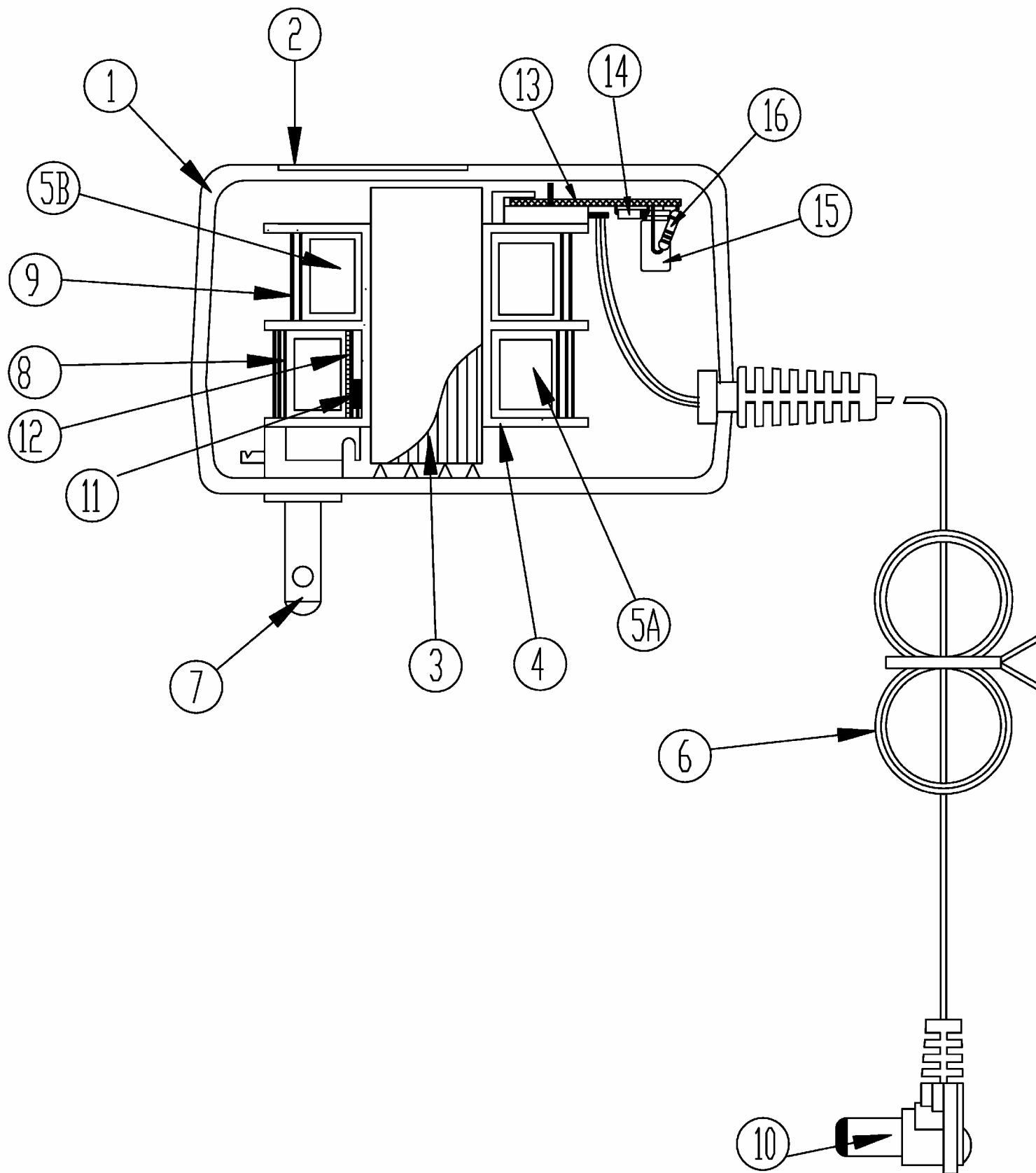
9. APPENDIX: Overall drawing,illustration,material list,nameplate,inner box and package drawing.

UNIT:mm



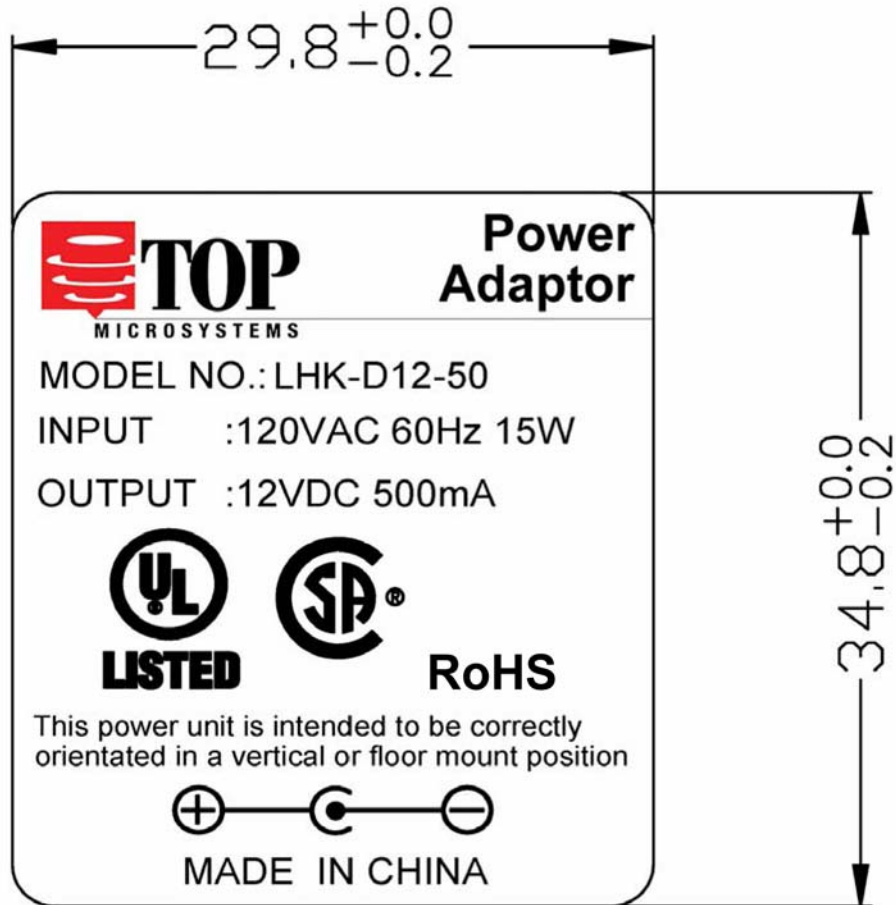
DATE CODE
XX XX X
↓ ↓ ↓
Month year C or k
↓ ↓
Kunshan
↓
Shenzhen





NO.	Description	Material	Spec	Manufacturer
1	ENCLOSURE	PPE+PS	PX1005X or SE1GFN1X	SABIC INNOVATIVE PLASTICS US LLC(E45587) or Equ.
2	NAME PLATE	TKSMI#200	0.2mm	Ehoung Nameplate Co., Ltd. or Equ. ShenZhen ZhiDaMei Printing Factory.(MH26755)
3	CORE	Silicon Steel		Nippon Steel Corporation Jfe Steel Corporation. or Equ.
4	BOBBIN	PA66+Glass	70G33L,HB,130°C	E I DUPONT DE NEMOURS & CO INC (E41938) or Equ.
5	(A)PRIMARY WINDING (B)SECONDARY WINDING	Polyurethane Enamelled Copper Wire	2UEW	FENG CHING METAL CORP.(E172395) TA YA ELECTRIC WIRE & CABLE CO., LTD.(E84201) SHENZHEN DAYANG INDUSTRY CO LTD.(176101) HUI YANG GOLDEN OCEAN MAGNET WIRE(E225143) or Equ.
6	OUTPUT CORD	PVC	AWG#24 UL2468	Techpoint Electric Wire & Cable Co.,Ltd.(E174881) Lucky United Electric Wire & Cable Co.,Ltd.(E162697) DONGGUAN GUNEETAL WIRE & CABLE CO LTD(E204204) Long Crown Wire Co.,Ltd(E307307) XINYA ELECTRONIC CO.,LTD(E170689) or Equ.
7	INPUT BLADES	Nickel Plated Copper	1.5mm	Shin Chuan Tun Enterprise Co.,Ltd. or Equ.
8	PRIMARY WRAP	Polyester Tape	0.05mm X 3 Turns	YAHUA ADHESIVE TAPE CO LTD(E165111) CHYUN YIH TAPE CO LTD(E81174) DUCK SUNG HITECH CO LTD(E105147) SYMBIO INC(E50292) or Equ.
9	SECONDARY WRAP	Polyester Tape	0.05mm X 2 Turns	SAME AS ITEM 8
10	OUTPUT PLUG		5.5*2.1*10(L-D)	LONG CROWN WIRE CO LTD or Equ.
11	THERMAL PROTECTOR	Thermal Cutoff	F4 130°C L33 130°C P4-1A-F 130°C A4-1A-F 130°C SM125B1 131°C SM125B0 131°C	XIAMEN SET ELECTRONICS CO LTD(UL E214712) JOINT FORCE METAL RESEARCH & CO LTD(E142267) AUPO ELECTRONICS LTD(UL E140847) AUPO ELECTRONICS LTD(UL E140847) NEC SCHOTT COMPONENTS CORP(UL E71747) NEC SCHOTT COMPONENTS CORP(UL E71747) or Equ.
12	PRIMARY CROSSOVER	Acetate Cloth Tape	0.36mm X 1Layer	SAME AS ITEM 8
13	PRINTED CIRCUIT BOARD	94V-0	1.6mm	DONGGUAN DAYSUN ELECTRONIC CO LTD (E251754) Chih Hsien Enterprise Co.,Ltd.(E105119) or Equ.
14	DIODE		1A/50V MIN*4	Master Instrument Corporation Shanghai Ltd. DC COMPONENTS CO.,LTD. Chongqing Pingyang Electronics Co.,Ltd. or Equ.
15	CAPACITOR	Electrolytic Capacitor	1000uF/25V 105°C	Fu Tec Electronic Co.,Ltd. Yung Te Electronic Co.,Ltd. Shenzhen ZhongYiDa Electronic Co.,Ltd. or Equ.
16	RESISTOR		540Ω1W	ShiMng Elictronic (ShenZhen)Co.,Ltd. or Equ.

UNIT:mm



0.20mm TKSMI#200 NAME-PLATE: BLACK CHARACTERS SILVER BACKGROUND.

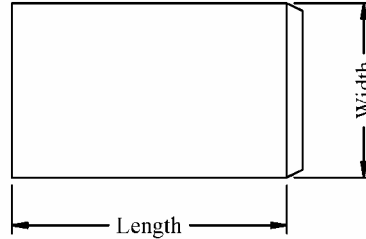
UNIT:mm



PE BAG

Length:

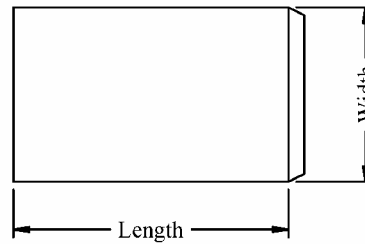
Width:



BUBBLE BAG

Length:

Width:

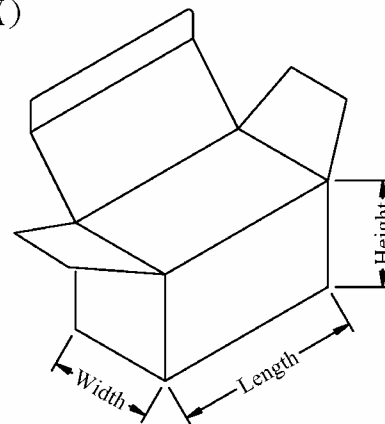


BOX(Normal BOX Corrugated BOX)

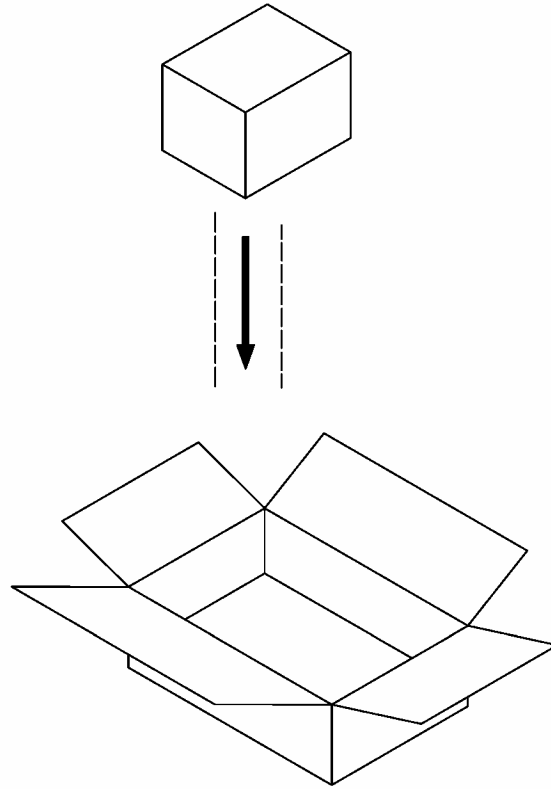
Length: 80

Width: 50

Height: 62



UNIT:mm



REMARK:

Carton Material:Sending Abroad :A ≡ A Sending internal:B=B

THE ABOVE MARKING IS OUR OWN DESIGN FOR PACKAGE
IF YOU WANT TO CHANGE THE PACKAGE METHOD AND MARKING
PLEASE PROVIDE US MORE DETAILS OF YOUR THE PACKAGE METHOD AND MARKING.

ITEM	SPEC	1	2	3	4	5	6	7	8	9	10
		PRIMARY RATED VOLTAGE	120 VAC 60 Hz								
EXCITING CURRENT	70 mA MAX	29.5	31.5	30.6							
SECONDARY #1 NO LOAD VOLTAGE	DC 17.5VMAX	16.94	16.91	16.92							
SECONDARY #1 VOLTAGE LOAD 500 mA	DC 12V±5%	12.17	12.17	12.19							
HI-POT P-S 1 MINUTE	1.5 KV	OK	OK	OK							
STRAIN RELIEF TEST 60 SECONDS	20LBS	OK	OK	OK							
INSULATION TEST	500VDC 100 MEGAOHM MIN	OK	OK	OK							
TEMPERATURE RISE	75 °C max	OK	OK	OK							
STORAGE TEMPERATURE	-5°C ~ 60°C	OK	OK	OK							
OPERATION TEMPERATURE	-5°C ~ 30°C	OK	OK	OK							
REMARK											