



**UX100R Series**  
**100 Watts, Single, Dual,**  
**Triple, & Quad Outputs**

- High efficiency, universal input voltage
- 5.0 X 3.3 X 1.54 inch package
- Low profile U-bracket format
- Conforms to FCC part15, subpart J, Level B, and CISPR Pub. 22 conducted and radiated EMI
- 3.94W/Cu. In. power density



**ELECTRICAL SPECIFICATIONS**

**PARAMETERS**

Input Voltage	90-264Vac
Input Frequency	47-63Hz
Input Current	1.8A@115Vac & 0.8A@230Vac
Inrush Current	65.0A@230Vac
Efficiency	80-85% typical
Circuit	63Khz fixed frequency flyback
Rated Output	See Model Selector
Output Voltage Adj.	Available at VO1
Transient Response	Output returns to reg. in less than 3mS after 25% load change
Safety standard	IEC950/UL1950 Class I

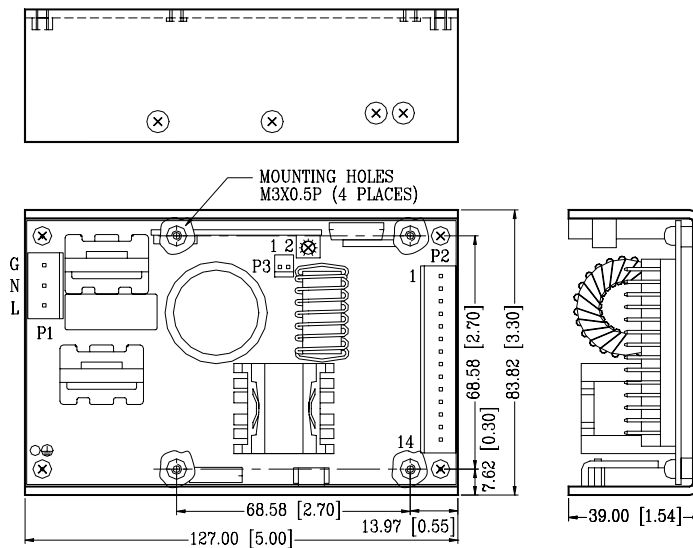
**LIMITS**

**PARAMETERS**

Ripple & Noise	1.0% Peak-Peak
Power Limiting	Fully protected against output Over load and short circuit.
Over voltage Protection	Built-in at VO1
Operating Temperature	0 to +50°C@ full load
Storage Temperature	-20°C to +85°C
Cooling	25 CFM direct forward air flow
Temperature Coefficient	0.04%/°C
Leakage current to Gnd.	Less than 0.4mA @ 230Vac
Hold-up Time	11mS@115Vac /60mS@230Vac.
Weight	448.5g (15.82 Oz)

**LIMITS**

**MECHANICAL SPECIFICATION**



DIMENSION: MM [INCH]

ASSIGNMENT	AC INPUT			SINGLE OUTPUT		DUAL OUTPUT		TRIPLE OUTPUT			QUAD. OUTPUT					ASSORTED SIGNAL					
	AC-L	AC-N	AC-G	VO1	DC-COM	VO1	VO2	DC-COM	VO1	VO2	VO3	DC-COM	VO1	VO2	VO3	+VO4	-VO4	DC-COM	-S	+S	P.F.S.
PIN No.	P1-3	P1-2	P1-1	P2-1,2,3,4,5.	P2-6,7,8,9,10,11	P2-1,2,3	P2-8,9	P2-4,5,6,7,10,13	P2-1,2,3	P2-8,9	P2-11	P2-4,5,6,7,10,13	P2-1,2,3	P2-8,9	P2-11	P2-14	P2-13	P2-4,5,6,7	P3-1	P3-2	P2-12.

I/P & O/P connector: V-M connector.  
 Mating connector: P1,2,3 Molex # 5195 or 5239 series.

## MODEL SELECTOR

### SINGLE OUTPUT

MODEL NUMBER	OUTPUT VOLTAGE	OUTPUT CURRENT	LINE REGULATION	LOAD REGULATION
U1100R-3.3	3.3V	25.0A	0.1%	+/- 1.0-2.0%
U1100R-05	5.0V	20.0A	0.1%	+/- 1.0-2.0%
U1100R-12	12.0V	8.5A	0.1%	+/- 1.0-2.0%
U1100R-15	15.0V	6.8A	0.1%	+/- 1.0-2.0%
U1100R-24	24.0V	4.2A	0.1%	+/- 1.0-2.0%
U1100R-24B	24.0V	3.0A	0.1%	+/- 1.0-2.0%
U1100R-28	28.0V	3.6A	0.1%	+/- 1.0-2.0%
U1100R-36	36.0V	2.8A	0.1%	+/- 1.0-2.0%
U1100R-48	48.0V	2.0A	0.1%	+/- 1.0-2.0%
U1100R-58	58.0V	1.3A	0.1%	+/- 1.0-2.0%

### DUAL OUTPUT

MODEL NUMBER	OUTPUT SET	OUTPUT VOLTAGE	OUTPUT CURRENT	LINE REGULATION	LOAD REGULATION
U2100R-05D	Main VO1	+5.0V	10.0A	0.1%	+/- 1.0-2.0%
	Aux. VO2	-5.0V	10.0A	0.1%	+/- 3.0-5.0%
U2100R-0512	Main VO1	+5.0V	10.0A	0.1%	+/- 1.0-2.0%
	Aux. VO2	-12.0V	4.0A	0.1%	+/- 3.0-5.0%
U2100R-0515	Main VO1	+5.0V	10.0A	0.1%	+/- 1.0-2.0%
	Aux. VO2	-15.0V	3.0A	0.1%	+/- 3.0-5.0%
U2100R-0524	Main VO1	+5.0V	10.0A	0.1%	+/- 1.0-2.0%
	Aux. VO2	-24.0V	2.0A	0.1%	+/- 3.0-5.0%
U2100R-12D	Main VO1	+12.0V	4.0A	0.1%	+/- 1.0-2.0%
	Aux. VO2	-12.0V	4.0A	0.1%	+/- 3.0-5.0%
U2100R-15D	Main VO1	+15.0V	3.4A	0.1%	+/- 1.0-2.0%
	Aux. VO2	-15.0V	3.4A	0.1%	+/- 3.0-5.0%
U2100R-3.305	Main VO1	+3.3V	10.0A	0.1%	+/- 1.0-2.0%
	Aux. VO2	-5.0V	10.0A	0.1%	+/- 3.0-5.0%
U2100R-3.312	Main VO1	+3.3V	12.0A	0.1%	+/- 1.0-2.0%
	Aux. VO2	-12.0V	4.0A	0.1%	+/- 3.0-5.0%
U2100R-3.315	Main VO1	+3.3V	12.0A	0.1%	+/- 1.0-2.0%
	Aux. VO2	-15.0V	3.0A	0.1%	+/- 3.0-5.0%
U2100R-3.324	Main VO1	+3.3V	12.0A	0.1%	+/- 1.0-2.0%
	Aux. VO2	-24.0V	2.0A	0.1%	+/- 3.0-5.0%
U2100R-6.524	Main VO1	+6.5V	7.5A	0.1%	+/- 1.0-2.0%
	Aux. VO2	-24.0V	2.0A	0.1%	+/- 3.0-5.0%

## MODEL SELECTOR

### TRIPLE OUTPUT

MODEL NUMBER	OUTPUT SET	OUTPUT VOLTAGE	OUTPUT CURRENT	LINE REGULATION	LOAD REGULATION
U3100R-0512D	Main VO1	+5.0V	10.0A	0.1%	+/- 1.0-2.0%
	Aux. VO2	+12.0V	3.4A	0.1%	+/- 3.0-5.0%
	Aux. VO3	-12.0V	0.6A	0.1%	+/- 3.0-5.0%
U3100R-05D12	Main VO1	+5.0V	10.0A	0.1%	+/- 1.0-2.0%
	Aux. VO2	+12.0V	3.4A	0.1%	+/- 3.0-5.0%
	Aux. VO3	-5.0V	0.6A	0.1%	+/- 3.0-5.0%
U3100R-051224	Main VO1	+5.0V	10.0A	0.1%	+/- 1.0-2.0%
	Aux. VO2	+24.0V	1.5A	0.1%	+/- 3.0-5.0%
	Aux. VO3	-12.0V	0.6A	0.1%	+/- 3.0-5.0%
U3100R-0515D	Main VO1	+5.0V	10.0A	0.1%	+/- 1.0-2.0%
	Aux. VO2	+15.0V	2.5A	0.1%	+/- 3.0-5.0%
	Aux. VO3	-15.0V	0.6A	0.1%	+/- 3.0-5.0%
U3100R-3.312D	Main VO1	+3.3V	12.0A	0.1%	+/- 1.0-2.0%
	Aux. VO2	+12.0V	3.4A	0.1%	+/- 3.0-5.0%
	Aux. VO3	-12.0V	0.6A	0.1%	+/- 3.0-5.0%
U3100R-3.315D	Main VO1	+3.3V	12.0A	0.1%	+/- 1.0-2.0%
	Aux. VO2	+15.0V	2.8A	0.1%	+/- 3.0-5.0%
	Aux. VO3	-15.0V	0.6A	0.1%	+/- 3.0-5.0%
U3100R-3.30512	Main VO1	+3.3V	18.0A	0.1%	+/- 1.0-2.0%
	Aux. VO2	+5.0V	4.0A	0.1%	+/- 3.0-5.0%
	Aux. VO3	+12.0V	1.0A	0.1%	+/- 3.0-5.0%

## MODEL SELECTOR

### QUAD OUTPUT

MODEL NUMBER	OUTPUT SET	OUTPUT VOLTAGE	OUTPUT CURRENT	LINE REGULATION	LOAD REGULATION
U4100R-0512T	Main VO1	+5.0V	10.0A	0.1%	+/- 1.0-2.0%
	Aux. VO2	+12.0V	3.0A	0.1%	+/- 3.0-5.0%
	Aux. VO3	-12.0V	0.6A	0.1%	+/- 3.0-5.0%
	Aux. VO4	12.0V	0.6A	0.1%	+/- 3.0-5.0%
U4100R-05T12	Main VO1	+5.0V	10.0A	0.1%	+/- 1.0-2.0%
	Aux. VO2	+12.0V	3.0A	0.1%	+/- 3.0-5.0%
	Aux. VO3	-5.0V	0.6A	0.1%	+/- 3.0-5.0%
	Aux. VO4	5.0V	0.6A	0.1%	+/- 3.0-5.0%
U4100R-052412D	Main VO1	+5.0V	10.0A	0.1%	+/- 1.0-2.0%
	Aux. VO2	+24.0V	1.5A	0.1%	+/- 3.0-5.0%
	Aux. VO3	-12.0V	0.6A	0.1%	+/- 3.0-5.0%
	Aux. VO4	12.0V	0.6A	0.1%	+/- 3.0-5.0%
U4100R-0515D12	Main VO1	+5.0V	10.0A	0.1%	+/- 1.0-2.0%
	Aux. VO2	+15.0V	2.5A	0.1%	+/- 3.0-5.0%
	Aux. VO3	-15.0V	0.6A	0.1%	+/- 3.0-5.0%
	Aux. VO4	12.0V	0.6A	0.1%	+/- 3.0-5.0%
U4100R-052415D	Main VO1	+5.0V	10.0A	0.1%	+/- 1.0-2.0%
	Aux. VO2	+24.0V	1.5A	0.1%	+/- 3.0-5.0%
	Aux. VO3	-15.0V	0.5A	0.1%	+/- 3.0-5.0%
	Aux. VO4	15.0V	0.5A	0.1%	+/- 3.0-5.0%

## MODEL SELECTOR

### QUAD OUTPUT

MODEL NUMBER	OUTPUT SET	OUTPUT VOLTAGE	OUTPUT CURRENT	LINE REGULATION	LOAD REGULATION
U4100R-3.312D05	Main VO1	+3.3V	12.0A	0.1%	+/- 1.0-2.0%
	Aux. VO2	+12.0V	3.0A	0.1%	+/- 3.0-5.0%
	Aux. VO3	-12.0V	0.6A	0.1%	+/- 3.0-5.0%
	Aux. VO4	5.0V	0.6A	0.1%	+/- 3.0-5.0%
U4100R-3.30512D	Main VO1	+3.3V	12.0A	0.1%	+/- 1.0-2.0%
	Aux. VO2	+5.0V	4.0A	0.1%	+/- 3.0-5.0%
	Aux. VO3	-12.0V	0.6A	0.1%	+/- 3.0-5.0%
	Aux. VO4	12.0V	0.6A	0.1%	+/- 3.0-5.0%
U4100R-3.315D05	Main VO1	+3.3V	12.0A	0.1%	+/- 1.0-2.0%
	Aux. VO2	+15.0V	2.5A	0.1%	+/- 3.0-5.0%
	Aux. VO3	-15.0V	0.5A	0.1%	+/- 3.0-5.0%
	Aux. VO4	5.0V	0.6A	0.1%	+/- 3.0-5.0%
U4100R-3.312T	Main VO1	+3.3V	12.0A	0.1%	+/- 1.0-2.0%
	Aux. VO2	+12.0V	3.0A	0.1%	+/- 3.0-5.0%
	Aux. VO3	-12.0V	0.6A	0.1%	+/- 3.0-5.0%
	Aux. VO4	12.0V	0.6A	0.1%	+/- 3.0-5.0%
U4100R-3.315D12	Main VO1	+3.3V	12.0A	0.1%	+/- 1.0-2.0%
	Aux. VO2	+15.0V	2.5A	0.1%	+/- 3.0-5.0%
	Aux. VO3	-15.0V	0.6A	0.1%	+/- 3.0-5.0%
	Aux. VO4	12.0V	0.6A	0.1%	+/- 3.0-5.0%
U4100R-3.32412D	Main VO1	+3.3V	12.0A	0.1%	+/- 1.0-2.0%
	Aux. VO2	+24.0V	1.5A	0.1%	+/- 3.0-5.0%
	Aux. VO3	-12.0V	0.6A	0.1%	+/- 3.0-5.0%
	Aux. VO4	12.0V	0.6A	0.1%	+/- 3.0-5.0%
U4100R-053.312D	Main VO1	+5.0V	10.00A	0.1%	+/- 1.0-2.0%
	Aux. VO2	+3.3V	7.50A	0.1%	+/- 3.0-5.0%
	Aux. VO3	-12.0V	0.25A	0.1%	+/- 3.0-5.0%
	Aux. VO4	12.0V	0.25A	0.1%	+/- 3.0-5.0%
U4100R-3.30515D	Main VO1	+3.3V	12.00A	0.1%	+/- 1.0-2.0%
	Aux. VO2	+5.0V	4.00A	0.1%	+/- 3.0-5.0%
	Aux. VO3	-15.0V	0.60A	0.1%	+/- 3.0-5.0%
	Aux. VO4	15.0V	0.60A	0.1%	+/- 3.0-5.0%
U4100R-03052406	Main VO1	+3.30V	15.00A	0.1%	+/- 1.0-2.0%
	Aux. VO2	+5.00V	1.10A	0.1%	+/- 3.0-5.0%
	Aux. VO3	-48.00V	1.25A	0.1%	+/- 3.0-5.0%
	Aux. VO4	6.25V	0.30A	0.1%	+/- 3.0-5.0%