

SPECIFICATION

High Quality Switching Wallmount Adapter

Universal AC Input 5VDC 500mA USB Output



P/N: W050005YYU-US

**** Specification Approval****

This specification (total 5 pages including cover page) is approved in it's entirety by:

Company Name

Print Name

Signature

Date



Tel: 1-408-980-9813
Fax: 1-408-980-8626
Email: infor@topmicro.com
Web: www.topmicro.com
051611RV.1

1.0 Scope

This specification defines the performance characteristics for a class II single output power supply, Top Microsystems part number W050005YYU-US.

2.0 Input

Rated AC Input Voltage	100Vac to 240Vac
AC Input Voltage Range	90Vac to 264Vac
AC Input Frequency Range	47Hz to 63Hz
Max. In-rush Current	30A at 100Vac full load 75A at 240Vac full load
Input Current	0.5A Max. @90Vac 60Hz full load
Standby Power	0.3W Max. @ 254Vac 60Hz no load

3.0 Output

Output Voltage	+5V
Output Voltage Tolerance	+/-0.25V
Min. Load Current	0mA
Max. load Current	500mA
Line Regulation	+/-1%
Load Regulation	+/-5%
Ripple & Noise	100mVp-p Max.

DC-20MHz/Ripple and Noise is measured on output connector with 20MHz oscilloscope bandwidth differentially with 10uF electrolytic and 0.1uF ceramic capacitors across the output.

4.0 Performance

Total Output Power	2.5W Max.
Efficiency	60% Min. @ 100~240Vac 50/60Hz full load
Hold Up Time	10m sec Min. @ 100Vac 60Hz full load
Switching Frequency	65KHz typical

5.0 Protection

Over-Current Protection

Once fault condition is removed the adapter shall automatically restart.

Short Circuit Protection

Once fault condition is removed the adapter shall automatically restart.

6.0 Environmental

Operation Temperature -20°C to +40°C

Operation Humidity 20% to 90% R.H. non-condensing

Storage Temperature -20°C to +75°C

Storage Humidity 0% to 90% R.H. non-condensing

7.0 Safety

Agency approvals

	Country	Standard
UL	USA	UL 60950
FCC	USA	FCC Part 15

NOTE: This series is also available with other AC input plug options for use in various other international marketplaces with agency approvals such as GS, C-TICK, SAA, CB, CE, ErP. In addition BSI and PSE applications are also underway.

8.0 Dielectric Withstand (Hi-pot) Test

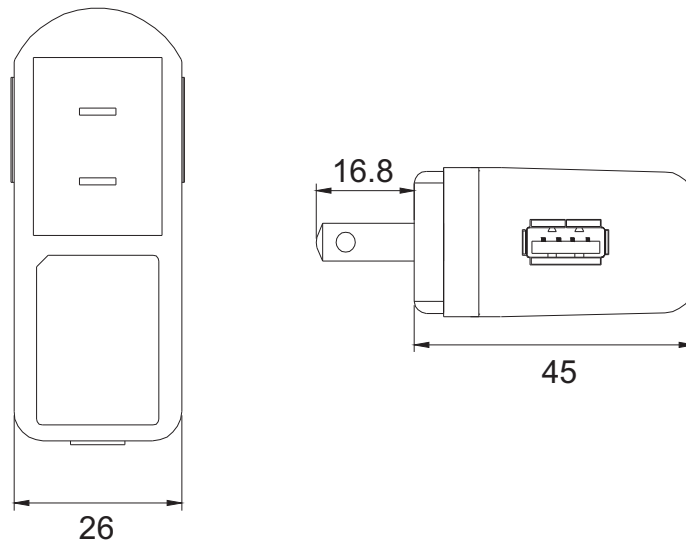
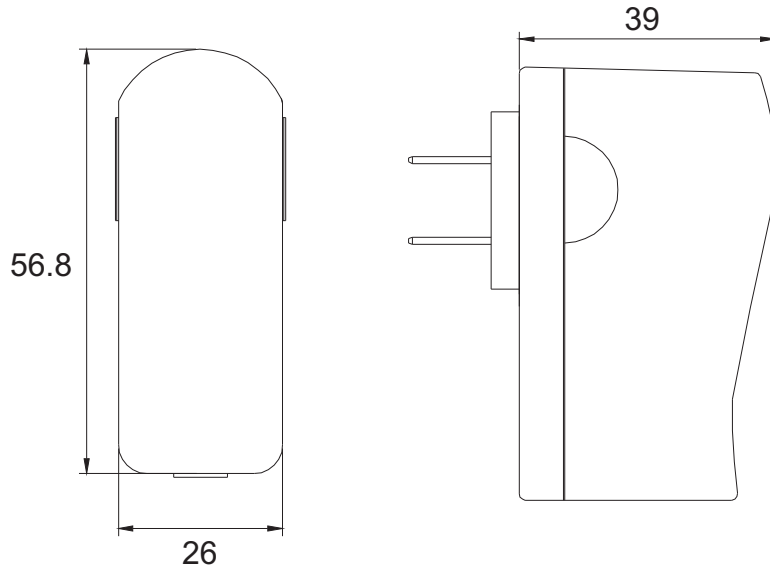
Input to Output: 3000VAC 10mA/Min.

9.0 Insulation

Input to Output: 500VDC 10M Ohm Min.

10.0 Mechanical

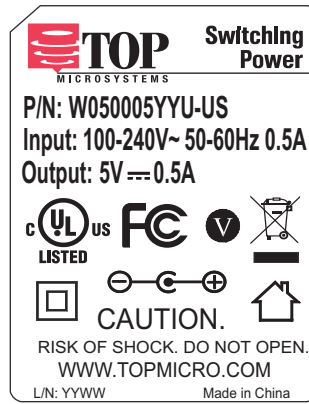
Unit: mm



11.0 Label

Unit: mm

3:1



1:1

