

# SPECIFICATION

## Switching Wallmount Adapter Efficiency Level VI Compliant

**Universal AC Input  
15W 6VDC Output**

**P/N: W060020GP-US/EU**

### Specification Approval

This specification (including cover page) is approved in it's entirety by:

---

Company Name

Print Name

Signature

Date

Specification subject to change without prior notice unless prior agreement is in place.



Tel: 1-408-980-9813  
Fax: 1-408-980-8626  
Email: [infor@topmicro.com](mailto:infor@topmicro.com)  
Web: [www.topmicro.com](http://www.topmicro.com)  
031212V.A

## 1. Input

1.1 Input Voltage Nominal:	100-240VAC
1.2 Input Voltage Minimum-Maximum:	90-264VAC
1.3 Input Frequency Nominal:	50/60Hz
1.4 Input Frequency Minimum-Maximum:	47/63Hz
1.5 Rated Input Current:	0.5A Max. @ 100VAC
1.6 No-load Input Power	0.075W Max.
1.7 Inrush Current:	30A Max. @ 100VAC cool start 60A Max. @ 230VAC cool start
1.8 Leakage current:	0.25mA Max.

## 2. Output

2.1 Output Voltage Rating:	6V
2.2 Output Current Rating:	2.5A
2.3 Min. load current	0A
2.4 Output no-load voltage:	6V±5%
2.5 Output load voltage:	6V±5%
2.6 Output ripple & noise:	300mV Max.

## 3. General characteristics

3.1 Max output power:	15W
3.2 Efficiency:	84% Average at 25%, 50%, 75%, 100% load (Meets CEC VI)
3.3 Short circuit protection:	A short circuit placed on DC output shall cause no damage.
3.4 Over Voltage Protection:	When overvoltage occurs on DC output no damage shall be sustained.

#### 4. Environmental:

- 4.1 Operating temperature: 0°C~40°C
- 4.2 Storage temperature: -25°C to 85°C
- 4.3 Operating relative humidity: 8% to 90%
- 4.4 Storage relative humidity: 5% to 95%

#### 5. Design standard :

UI60065  
EN60065  
AS/NZS6005

#### 6. EMI standard

EN 55022: 2010  
EN 61000-4-2/ESD  
EN 61000-4-3/RS  
EN 61000-4-4/EFT/Burst  
EN 61000-4-5/Surge  
EN 61000-4-6/CS

#### 7. HI-POT test

- (1)Primary to secondary: 4525 VDC for 3sec 5mA
- (2)Primary to case: 4242 VDC for 1 min. 5mA  
4525 VDC for 3sec 5mA

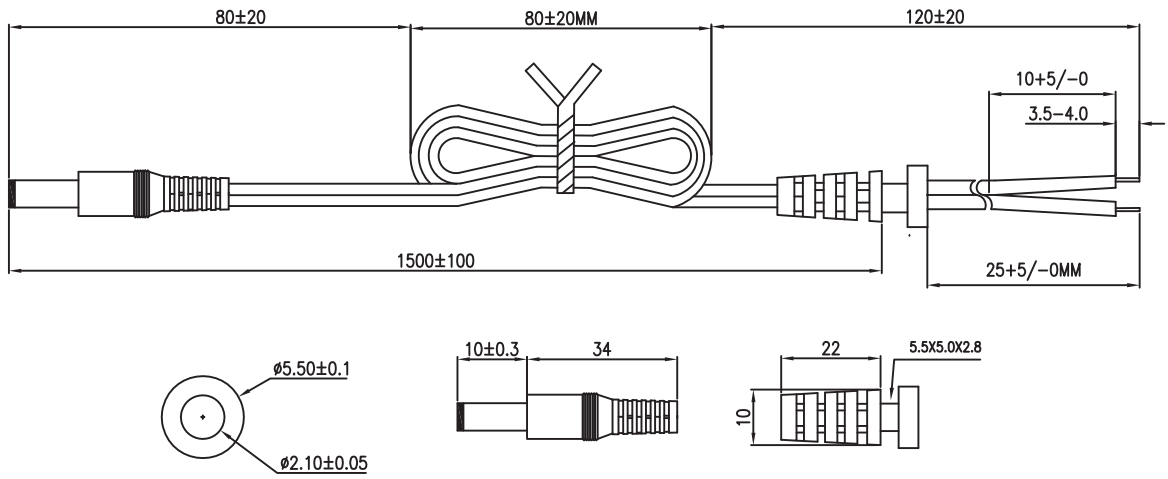
#### 8. Insulation resistance

Input to output: >10Mohm.@500VDC

#### 9. Reliability:

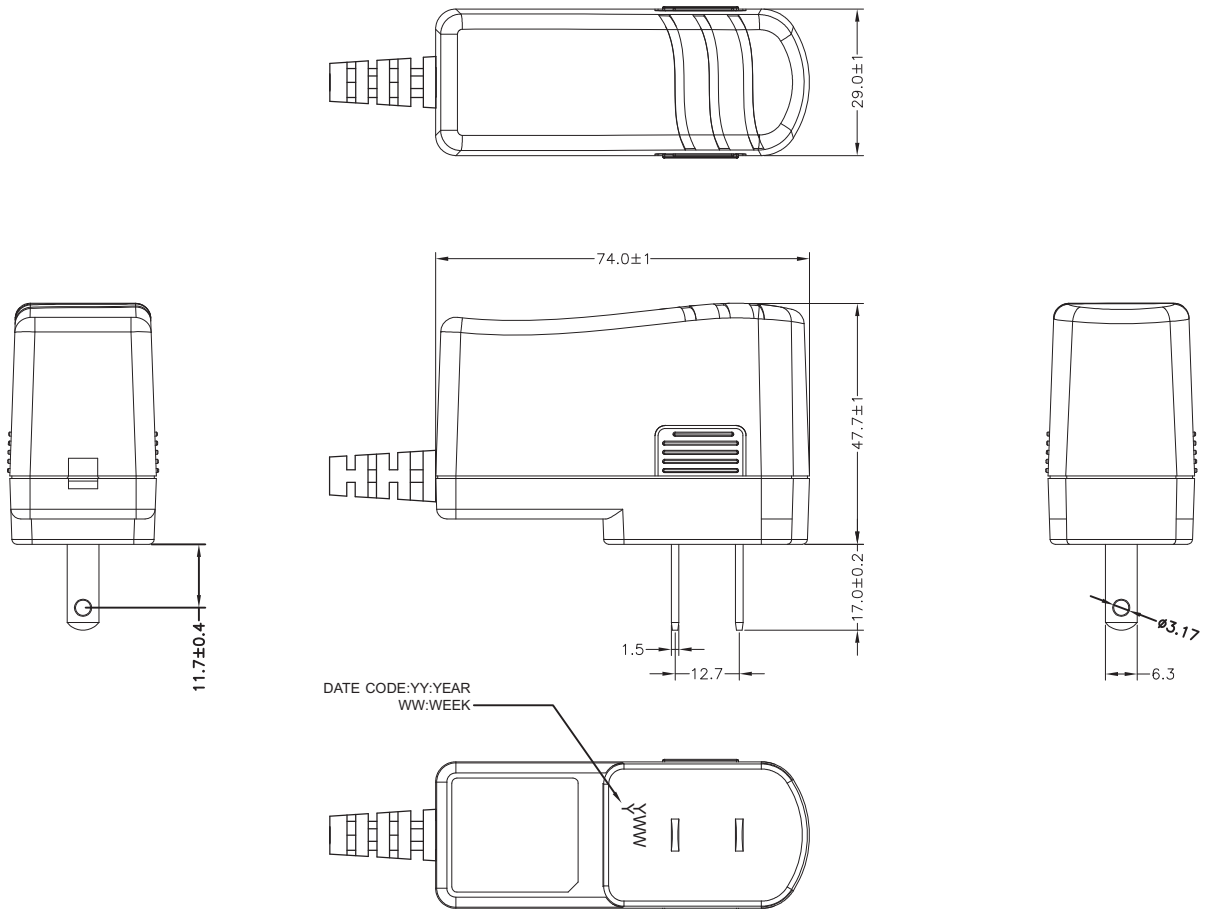
- 9.1 Burn-in: 2 hrs,40°C+/-5°C 240VAC  
ON/OFF cycling full load nominal line
- 9.2 Altitude: Will operate properly at altitude between 0 to 6000ft.

### 10. DC Cable & Plug

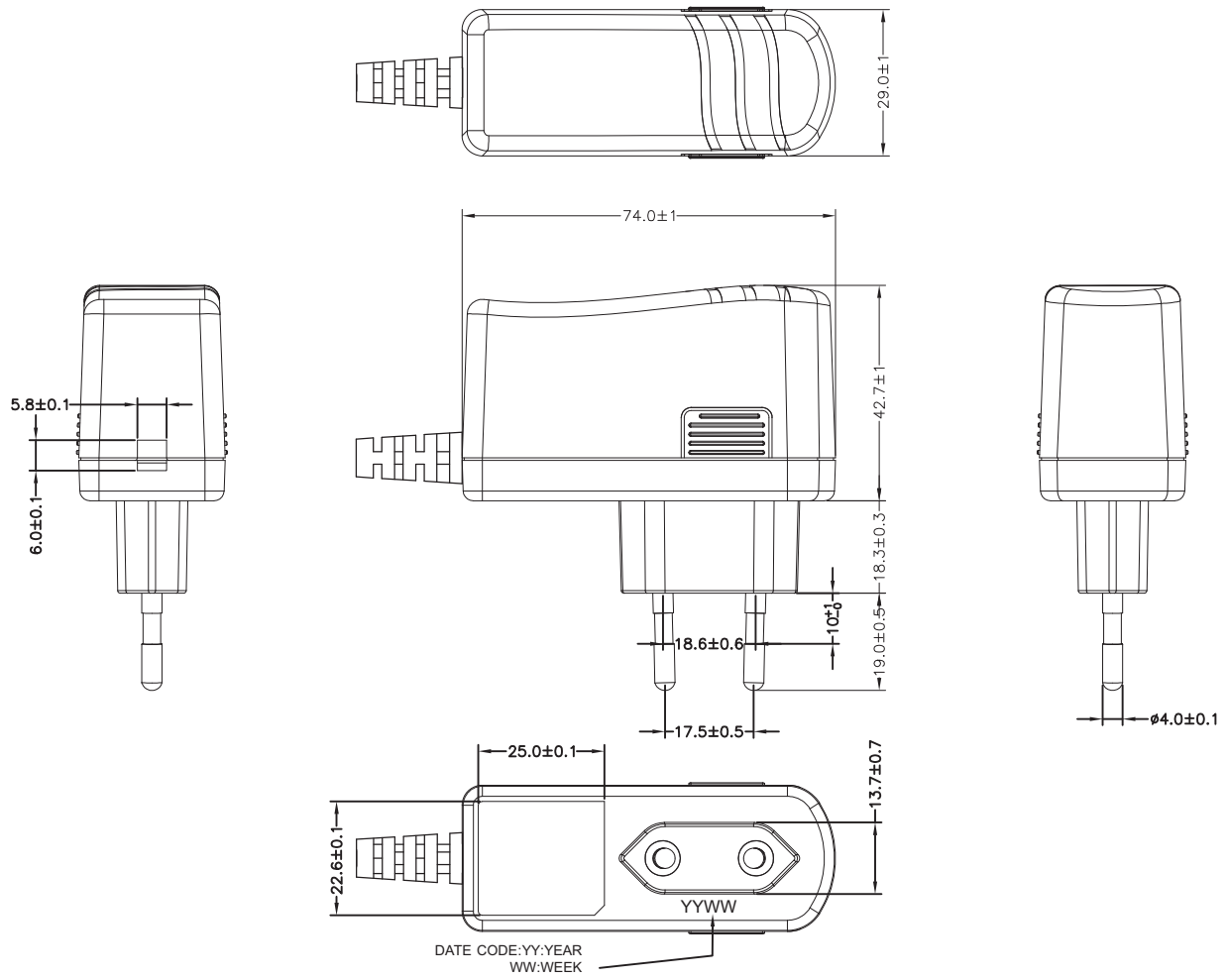


### 11. Mechanical

P/N: W060025GP-US



P/N: W060025GP-EU



12. Label

