

SPECIFICATION

Switching Wallmount Power Adapter

**Universal AC Input
Australian AC Plug
12W 9VDC Output**

P/N: W090013YF-AU

*** Specification Approval ***

This specification (total 8 pages including cover page) in its entirety is approved by:

Company Name

Print Name

Signature

Date

Specification subject to change without prior notice.



Santa Clara, CA 95054
Tel: 408-980-9813
Fax: 408-980-8626
infor@topmicro.com
www.topmicro.com
011312VA

1. Specification

The purpose of this document is to specify the performance of the single output switching power adaptor. This product is AC to DC power transfer device, it can provide for a 12W single DC output. The nominal external dimensions of the power adaptor are 75*40*50mm.

2. Electrical Requirements

2.1 Input Characteristic

2.1.1 Input Voltage

The rated input voltage is from 100V to 240V RMS; but the power adaptor shall capable of supplying rated output power with maximum input range of 90V to 264V RMS.

MIN	NORMAL	MAX	UNITS
90	100 – 240	264	Vrms

2.1.2 Input Frequency

The adaptor shall be meet in all-applicable specifications with the input frequency range from 47 to 63Hz.

MIN	NORMAL	MAX	UNITS
47	50 – 60	63	Hz

2.1.3 Input Current

The input current is less than 300mA RMS at full load and input voltage range of 100VAC to 240VAC.

AC INPUT	MAX	UNITS
100-240	0.35	Ampere

2.1.4 Stand-by Power

The Stand-by power of the adaptor shall be less than 0.5Watts at the input voltage range of 100VAC to 240VAC.

2.1.5 Input Surge Current

The input surge current is less than 30A at 120V and 40A at 240V input voltage for cold start.

AC INPUT	MAX	UNITS
120	30	Ampere
240	40	Ampere

2.2 Output Characteristic

2.2.1 Output Voltage and Output Power

The power adaptor provides one output: 9Volts DC. The maximum continuous output power is 18W

2.2.2 Efficiency

The efficiency of the power adaptor should be higher than 75% at full rated load and any rated input voltage.

2.2.3 Output Voltage Range

The output voltage under all conditions of rated input voltages, input frequencies and output loads from minimum to maximum can remain the following limit:

Normal voltage	Regulation tolerance	Limit
9V	$\pm 5 \%$	8.55V~9.45V

(Note: The limit at no load is 9.45V maximum and at full load is 8.55V minimum.)

2.2.4 Output Current

The power adaptor shall have regulated DC output current of 0-1.3A.

2.2.5 Hold Up Time

The power supply is capable of maintaining the output voltage as specified in section 2.1.1 for more than 10mSec after remove input voltage that measured at full load.

2.2.6 Rise Time

The power supply shall have a start-up rise time of less than 100msec to rise to within regulation limits for all DC outputs.

2.2.7 Line Regulation

Input voltage nominal and rated current, output voltage regulation $\pm 1\%$.

2.2.8 Load Regulation

Input voltage nominal and 0~rated output current, output voltage regulation $\pm 6\%$.

2.2.9 Output Over Current Protection (OCP)

The output shall be protected against the over current conditions. It shall recover automatically when after removal of the over circuit. Power on reset is not required.

2.2.10 OVER-VOTAGE PROTECTION

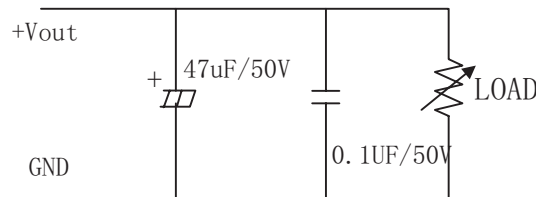
12VDC maximum with ZENER clamp.

2.2.12 Short-Circuit Protection

The power supply shall withstand a continuous output short without damage. The short may be applied before power-up, or after power-up. The power supply shall resume normal operation after the short is removed.

2.2.13 Output Ripple and Noise voltage

The specified noise & ripple are measured differently at the supply using maximum loads that are each shunted by 47 μ F electrolytic capacitor and 0.1 μ F ceramic capacitor. Measurements shall be made by using a storage Oscilloscope having a bandwidth of 20MHz and at nominal AC input voltage.



AC Input Voltage	Rated Output	Ripple & Noise	Bandwidth
100-240VAC	9V/1.3A	Less than 120mVp-p	20MHz

3. Product and Test Requirements

3.1 Withstand Voltage

When AC voltage of 1.0KV is applied for 60 seconds (or 1.2KV is applied for 2 seconds) between the input and output and between the input and housing, the current sensitivity is output and greater than 5mA. After this test, the adaptor shall exhibit no electrical and mechanical abnormalities.

3.2 Insulation Resistance

The insulation resistance is more than 10Mohms at between input-plug and output-plug with 500VDC voltage.

3.3 Vibration Test

Frequency=10-55-10Hz, Amplitude 1.5mm, X-Y-Z direction, 30 minutes each direction. Under non-operating status, meets specification after test.

3.4 Environmental Requirements

3.4.1 Operating and Storage Temperature and Humidity

Operating temperature range: from 0 degree C to 40 degree C

Operating humidity range: from 20%R.H. to 90%R.H..

Storage temperature range: from -20 degree C to 70 degree C

Storage humidity range: from 5%R.H. to 95%R.H.

3.4.2 Drop Test

The adapter shall exhibit no abnormality in mechanical or electrical performance when it is dropped three times to hardwood from a height of 100cm, with each of the three sides of the adapter striking the hardwood each time. Small nicks or slight deformations in the corners of the housing (will be accepted with 5mm Max. of nicks or 5mm Max. diameter of each corner), or cracks not penetrating the inside may be accepted.

3.4.3 Tensile strength

Fixing either of the main body shall make the test or the plug and applying a 20N load to the other part for 60seconds. No connections shall be broken and the cord shall not be removed.

3.4.4 Bending test

The test mode as follows: as shown on figure below, fix the main body and plug of the adapter, and apply a load of 200g to the other ends. Turn the cable connected to each by ± 45 degrees around the connection. Carry out this process 500 times at a rate of 40 times per minute (a bending of 90 degrees shall be counted as one process) in each direction.

The cable wires shall no be broken after this test.

3.5 Safety

The power supply shall be certified under all relevant Australian regulatory standards.

3.6 EMI Standards

The power supply meets the radiated and conducted emission requirements for EN55022 CLASS B.

3.7 EMS Standards

3.7.1 EN61000-4-2 Electrostatic Discharge (ESD)

Static – discharge test by contract or air should be conducted with Static – discharge teeter, energy storage capacitance of 150pF, and discharge resistance of 330 Ω .

8KV air discharge, 4KV contact discharge, Performance Criterion B.

3.7.2 EN61000-4-5 Lightning Surge Attachment

Lightning Surge voltage of differential and command modes shall be applied across AC input lines and across input frame ground.

Power Line to Line:1KV.

Performance Criterion B.

3.8 Leakage Current

Leakage Current shall not exceed 0.35mA max.

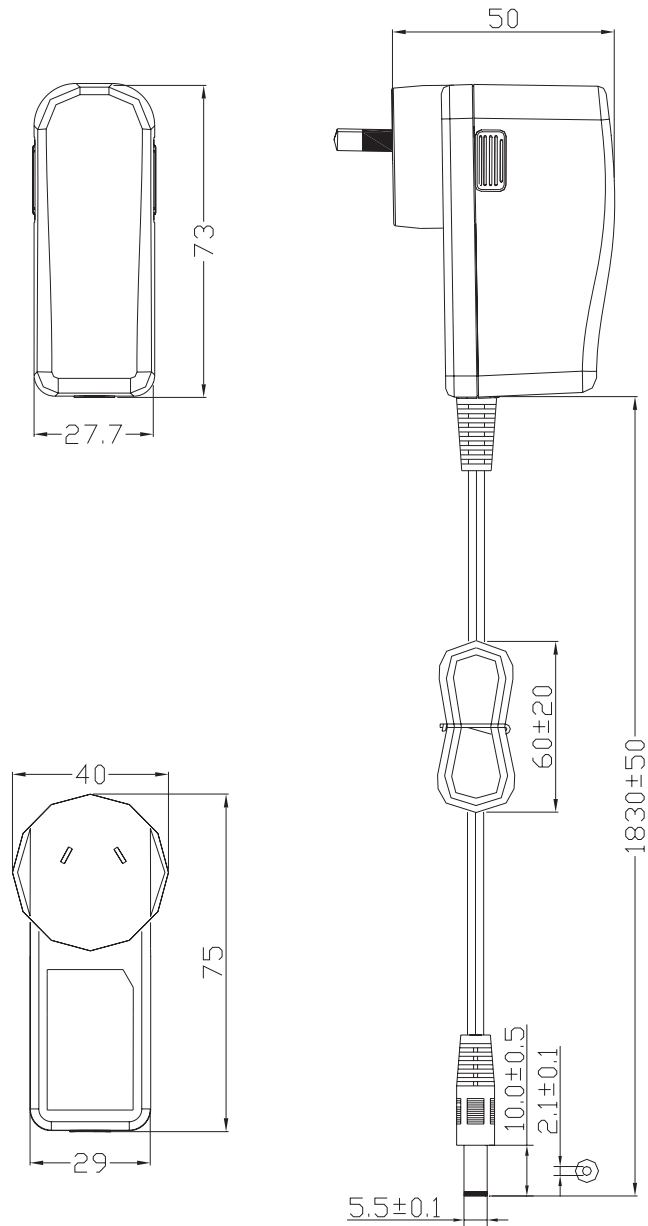
3.9 Burn-in

The power supply will be performed a minimum for 2 hours burn-in at 40 ±5 under 80% load to full load on all power supplies calculate MTBF.

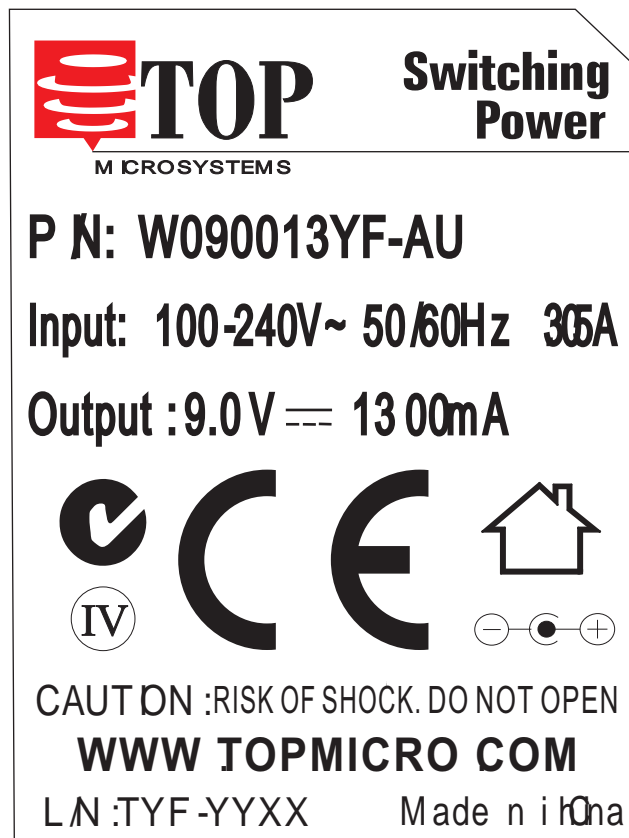
4. Output Cable and Plug

UL2468 #22AWG L=1830mm DC 5.5x2.1x10mm

5. Mechanical Drawing



6. Label Drawing



YY: Year (such as 11 for 2011)

WW: Week of the Year (such as 50 for 50th week of the year)