

SPECIFICATION

High Quality Linear Power Adapter

**120VAC Input
12V 300mA Output**

P/N: L120003YF-US

**** Specification Approval****

This specification (total 5 pages including cover page) is approved in it's entirety by:

Company Name

Print Name

Signature

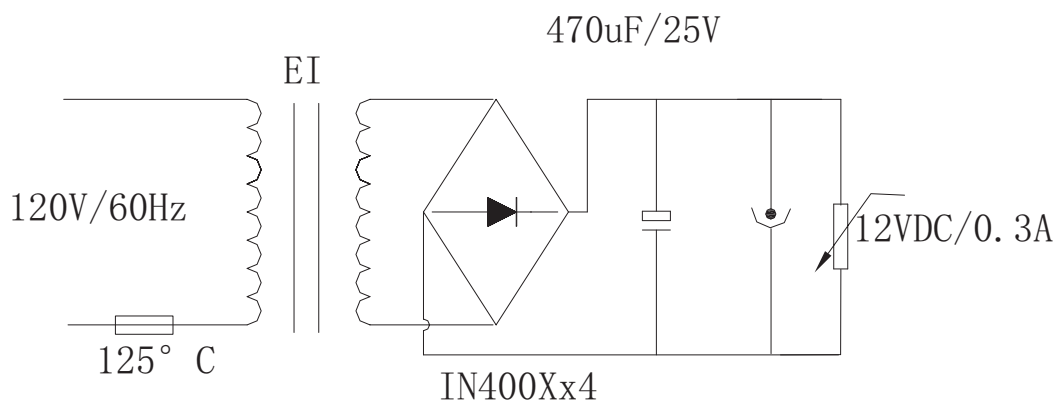
Date



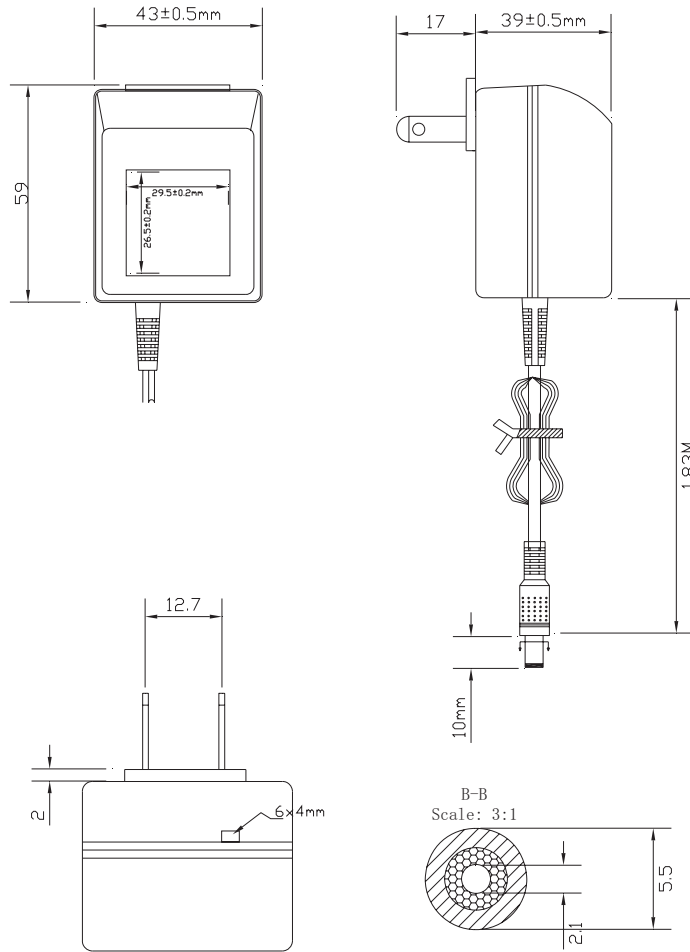
3261 Keller St.
Santa Clara CA 95054
Tel: 1-408-980-9813
Fax: 1-408-980-8626
Email: infor@topmicro.com
Web: www.topmicro.com

ELECTRICAL REQUIREMENTS		
INPUT VOLTAGE	AC120V	60Hz
EXCITING CURRENT	45mA	Max
OUTPUT VOLTAGE	DC 19.0 ±5% V	UNLOADED
OUTPUT VOLTAGE	DC 12.0 ±5% V	AT RATED LOADING
LOAD CURRENT	DC 0.3A	
RIPPLE VOLTAGE	MV MAX	
PRIMARY DC RESISTANCE		
SECONDARY DC RESISTANCE		
HI-POT TEST	AC 1.5KV 50Hz AT 1MA FOR 1 MINUTE	
INSULATION RESISTANCE	DC 500V 100 MEG OHM	
TEMPERATURE RISE	AT RATED LOADING AND NORMAL CONDITION, 75°C MAX	
PROTECTOR	PRI. WINDING IS BUILT WITH 125°C THERMAL FUSE	
IMPREGNATION	VARNISH	
SR TEST	SR TEST 10 LBS FOR 60 SECOND	
DROP TEST	FROM HEIGH OF 3 FEET 4 TIME DROP	
BENDING TEST	WITHSTAND 0.3KGFROM LEFT TO RIGHT AT ANGLE OF20° 500 TIMES	
PRIMARY WIRE TYPE		
SECONDARY WIRE TYPE	24AWG DC LINE L=1.83M SR=6*4 FEMALE "I" PLUG CENTRE 10*5.5*2.1	

ELECTRICAL SCHEMATICS :

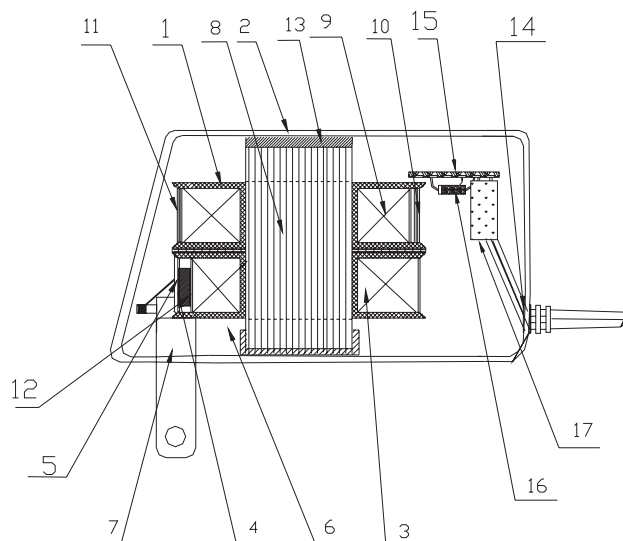


DIMENSION : (UNIT : mm)
(NOT IN SCALE)



MATERIAL LIST

	DESCRIPTION	MATERIAL	MODEL	MANUFACTURER
1.	BOBBIN	PA	UL	ASAHT CHEMICAL IND CO.,LTD. JAPAN.(E48285) OR EQUIVALEN
2.	ENCLOSURE	2.0mm THICKNESS PLASTICS	UL	CHI MEI INDUSTRIAL CO.,LTD(E56070) OR EQUIVALENT
3.	WINDING OF PRI.	2UEW		GOLD FULL ELECTRICAL MANUFACTURES (E173779S) OR EQUIVALENT
4.	INSULATION TAPE OF PRI.	POLYESTER FILM TAPE (130C)	8mm	JINGJING PRESSURE SENSITIVE GLUE FTY.,(165111) OR EQUIVALENT
5.	FIBRE OF PRI.		35#	JINGJING PRESSURE SENSITIVE GLUE FTY.,(165111) OR EQUIVALENT
6.	PRIMARY COIL WIRE INSULATION	POLYESTER FILM TAPE (130C)	8mm	JINGJING PRESSURE SENSITIVE GLUE FTY.,(165111) OR EQUIVALENT
7.	WIRE TYPE OF PRI			LEE YUAN ELECTRICAL MFY.,(E137515S) OR EQUIVALENT
8.	CORE	H50(0.5N)	EI-35	KAWATETSU ELECTRICAL STEEL CO.,LTD OR EQUIVALENT
9.	WINDING OF SEC.	2UEW		Damp dragon enameled wire limited company (E189373C) OR EQUIVALENT
10.	INSULATION TAPE OF SEC.	POLYESTER FILM TAPE (130C)	8mm	JINGJING PRESSURE SENSITIVE GLUE FTY.,(165111) OR EQUIVALENT
11.	FIBRE OF SEC.		35#	ASIA ELECTRONICS METAL FTY.,(H.K) OR EQUIVALENT
12.	THERMAL FUSE	A3 125C		JOINT FORCE METAL RESEARCH & CO. (H.K) OR EQUIVALENT.(E142267)
13.	SPONGE	1.0mm THICKNESS		BENNIC COMPONENTS CO.,LTD. OR EQUIVALENT.
14.	WIRE TYPE OF SEC.	24WG		LEE YUAN ELECTRICAL MFY.,(E137515S) OR EQUIVALENT
15.	P.C BOARD	1.5mm THICKNESS	94V-0	NAN TAI (H.K) CO., LTD. OR BQUIVALENT
16.	DIODE		IN4001	CHONGQING YONGYU ELECTRONIC CO.,LTD. OR EQUIVALENT
17.	ELEC.CAP		470UF/25V	HONG CHANG ELECTRONICS FACTORY. OR EQUIVALENT



LABEL MARKING

TOP **Linear Power Adapter**
MICROSYSTEMS

P/N: L120003YF-US
Input: 120VAC~ 60Hz 12W
Output: 12V = 300mA

⊖ — ⊕ c **UL** US LISTED

CAUTION:
RISK OF ELECTRIC SHOCK.
S/N: TYF-YYWW
WWW.TOPMICRO.COM
MADE IN CHINA