

SPECIFICATION

Class 2 Linear Wallmount Adapter

**120VAC Input
12VDC 0.4A Output**

P/N: L120004YF-US

**** Specification Approval****

This specification (total 5 pages including cover page) is approved in it's entirety by:

Company Name	Print Name	Signature	Date
--------------	------------	-----------	------



Tel: 1-408-980-9813
 Fax: 1-408-980-8626
 Email: infor@topmicro.com
 Web: www.topmicro.com
 050211RB

1. Primary

Input Voltage	AC 120V 60Hz
Exciting Current	45mA MAX
Protected	125 thermal fuse into winding

2. Secondary

Unloaded Current	DC 19.0V ±5%
Loading Voltage	DC 12.0V ±5%
Loaded Current	400mA

3. Insulation Resistance

Pri. To Sec. and Chassis	DC 500V 100 MEG OHM
--------------------------	---------------------

4. Temperature Rise

At rated loading normal condition, 75 MAX

5. Hi-Pot Withstand Tests

(Pri. / Sec. ,Core and Chassis)	AC 2.0KV 50Hz at 1mA for 1 minute
(Sec. / Core and Chassis)	AC 0.5KV 50Hz at 1mA for 1 minute

6. Transformer Impregnation

Varnish

8. Strain Test

A direct pull 20 lbs force to input plug for 60 seconds

A direct pull 10 lbs force to output line position for 60 seconds.

After test the cord shall be fully functional.

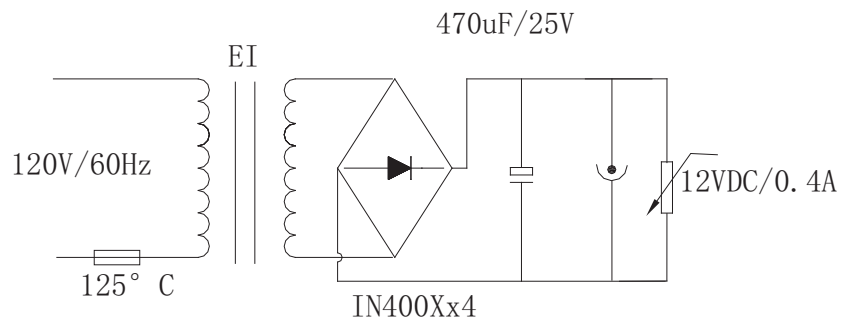
9. Output Cord Bending Test

The cord withstand weight of 200G, bending angle is± 60(120 degree in one cycle), bending rate is 45 cycles per minute, for 200 times or more. After test the cord shall be fully functional.

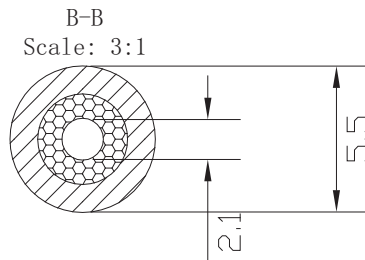
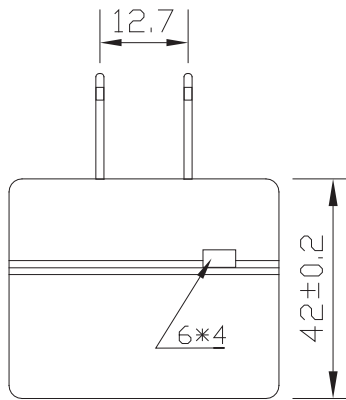
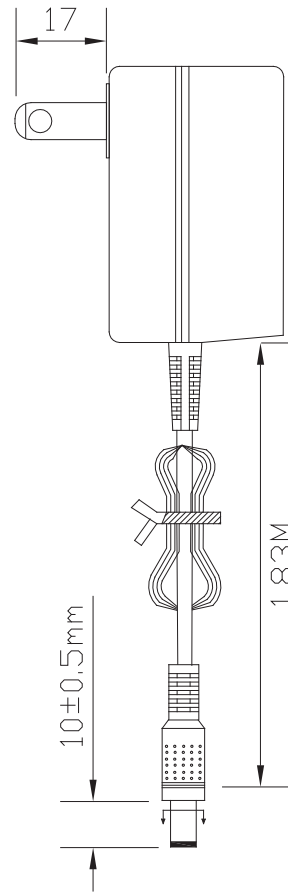
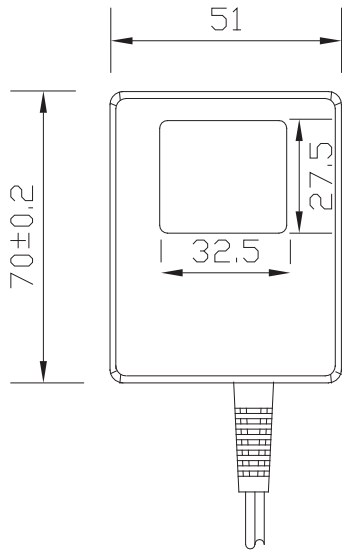
10. Drop Test

At a height of 3 ft, free drop to a concrete floor 3 times. After test the unit shall be fully functional.

11. Electrical Diagram



12. Mechanical Drawing



13. Label

3:1

TOP Class 2 Linear Power Adapter
 MICROSYSTEMS
 P/N: L120004YF-US
 Input: 120VAC~ 60Hz
 Output: 12V = 400mA

⊖ — ⊕ cUL US

CAUTION: LISTED
 RISK OF ELECTRIC SHOCK.
 L/N: TYF-YYWW
 WWW.TOPMICRO.COM
 MADE IN CHINA

1:1

TOP Class 2 Linear Power Adapter
 MICROSYSTEMS
 P/N: L120004YF-US
 Input: 120VAC~ 60Hz
 Output: 12V = 400mA

⊖ — ⊕ cUL US

CAUTION: LISTED
 RISK OF ELECTRIC SHOCK.
 L/N: TYF-YYWW
 WWW.TOPMICRO.COM
 MADE IN CHINA