

SPECIFICATION

High Quality 80 Plus Gold Switching Power Supply

**700W ATX Output
Universal AC Input
Extended PS/2: 150Wx160Lx86H mm
(14 CM Top Mounted Fan)**

P/N: P5700C 8G

**** Specification Approval****

This specification (total 9 pages including cover page) is approved in it's entirety by:

Company Name

Print Name

Signature

Date



3261 Keller St.
Santa Clara CA 95054
Tel: 1-408-980-9813
Fax: 1-408-980-8626
Email: infor@topmicro.com
Web: www.topmicro.com

CONTENTS

1.0 INPUT:	3
1.1 VOLTAGE.....	3
1.2 FREQUENCY.....	3
1.3 CURRENT.....	3
1.4 INRUSH CURRENT.....	3
1.5 POWER EFFICIENCY.....	3
1.6 LEAKAGE CURRENT.....	3
1.7 POWER FACTOR.....	3
2.0 OUTPUT:	3
2.1 REMOTE ON/OFF.....	4
2.2 HOLD-UP TIME.....	4
2.3 POWER GOOD DELAY.....	4
2.4 POWER FAIL DELAY.....	4
2.5 TURN-ON DELAY TIME.....	5
2.6 TRANSIENT OVERSHOOT.....	5
2.7 RISE TIME.....	5
3.0 PROTECTION:	5
3.1 OVER POWER PROTECTION.....	5
3.2 OVER CURRENT PROTECTION.....	5
3.3 OVER VOLTAGE PROTECTION.....	6
3.4 UNDER POWER PROTECTION.....	6
3.5 SHORT PROTECTION.....	6
4.0 ENVIRONMENT:	6
4.1 OPERATING TEMP	6
4.2 STORAGE TEMP.....	6

4.3 OPERATING HUMIDITY6
4.4 STORAGE HUMIDITY..... 6
4.5 OPERATING ALTITUDE6
4.6 STORAGE ALTITUDE..... 6

5.0 HI-POT:.....6
5.1 PRIMARY TO SECONDARY..... 6
5.2 INSULATION RESISTANCE.....6

6.0 CE REQUIREMENTS:7
6.1 CONDUCTED EMI.....7
6.2 SAFETY STANDARDS7

7.0 DIMENSIONS.....7

1.0 INPUT:

1.1 VOLTAGE

MINIMUM	NOMINAL	MAXIMUM	UNITS
90	100~240	264	Vrms

1.2 FREQUENCY

47Hz ~ 63Hz

1.3 CURRENT

115Vac / 10A max. 230Vac / 5A max.

1.4 INRUSH CURRENT

No damage.

1.5 POWER EFFICIENCY

MEET 80 Plus(Gold) at 115Vac input.

1.6 LEAKAGE CURRENT

3.5mA max.

1.7 POWER FACTOR

PF > 0.9

2.0 OUTPUT:

Voltage	+5V	+3.3V	+12V	-12V	+5Vsb
Max load	25.0A	25.0A	58.0A	0.8A	3.0A
Min load	0.1A	0.1 A	0.1A	0.0A	0.0A
Peak load	--	--	--	--	3.5A
Regulation	+/- 3%	+/- 3%	+/- 3%	+/- 10%	+/- 5%
Ripple & Noise	50mV	50mV	120mV	120mV	50mV

The continuous total output power is 700W max.

The combined power of +5V and +3.3V is 150W max.

Peak currents may last up to 12 seconds with not more than one occurrence per minute.

Add 0.1uF and 10uF capacitors across output terminal during ripple & noise test.

LOAD REGULATION TEST TABLE :

	+5V	+3.3V	+12V	-12V	+5Vsb
LOAD1	0.1A	0.1A	0.1A	0.0A	0.0A
*LOAD2	2.91A	2.91A	9.33A	0.13A	0.48A
*LOAD3	7.27A	7.27A	22.54A	0.32A	1.21A
*LOAD4	14.53A	14.53A	46.63A	0.64A	2.41A
LOAD5	25A	7.5A	43.8A	0.8A	3A
LOAD6	13.5A	25A	43.8A	0.8A	3A
LOAD7	0.3A	0.2A	58A	0.1A	0.1A

“*” 80 Plus faction of load

2.1 REMOTE ON/OFF

TTL High/PS-OFF; TTL Low/PS-ON

$V_L=0.8V_{max}$, $I_{IL}=-1.6mA_{max}$ @ $V_{in}=0.4V$

$V_{IH}=2.0V_{min}$ @ $I_{in}=-200\mu A$, $V_{IH}=5.25V_{max}$ @open ckt.

2.2 HOLD-UP TIME

18msec (minimum) at 80% of full load at 230Vac input.

2.3 POWER GOOD DELAY

100-500 msec.

2.4 POWER FAIL DELAY

>1 msec.

2.5 TURN-ON DELAY TIME

2000 msec max.At nominal line full load.

2.6 TRANSIENT OVERTHOOT

+/- 10% max with 20% load change on all outputs are 50% of the rated.

Load slew rated 0.5A/ μS and capacitive load as below :

+5V	+3.3V	+12V	-12V	+5Vsb
1000 μF	1000 μF	2200 μF	350 μF	350 μF

2.7 RISE TIME

20ms max at full load.

3.0 PROTECTION:

When OCP, OPP,OVP,UVP or short protection is triggered,the main outputs will be latched off. The main outputs can be reset by cycling the DC remote on/off or AC power. +5Vsb output is auto recovery when fault condition removed.

3.1 OVER CURRENT PROTECTION

+12V output 85Amax.

+5V output 48Amax.

+3.3V output 48Amax.

3.2 OVER POWER PROTECTION

Protection at 110%~150% full load.

3.3 OVER VOLTAGE PROTECTION

+3.3V output 4.5 Vmax.

+5.0V output 7.0 Vmax.

+12.0V output 15.6 Vmax.

3.4 UNDER VOLTAGE PROTECTION

+3.3V output 2.0~2.4 V.

+5.0V output 3.3~3.7 V.

+12.0V output 8.5~9.5 V.

3.5 SHORT PROTECTION

All output to GND.

4.0 ENVIRONMENT:

4.1 OPERATING TEMP. 0 °C to +50 °C

4.2 STORAGE TEMP. -20 °C to +70 °C

4.3 OPERATING HUMIDITY 20% to 90%,non-condensing

4.4 STORAGE HUMIDITY 5% to 95%, non-condensing

4.5 OPERATING ALTITUDE 0 to 10,000 feet

4.6 STORAGE ALTITUDE 0 to 50,000 feet

5.0 HI-POT:(Input/Output isolation)

5.1 PRIMARY TO SECONDARY

3535Vdc for 3 seconds

5.2 INSULATION RESISTANCE

Primary to earth ground 500Vdc , 50M ohms Min.

6.0 CE REQUIREMENTS

6.1 CONDUCTED EMI

1. MEET FCC: Class B
2. MEET CISPR 22: Class B
3. MEET BSMI: Class B

6.2 SAFETY STANDARDS

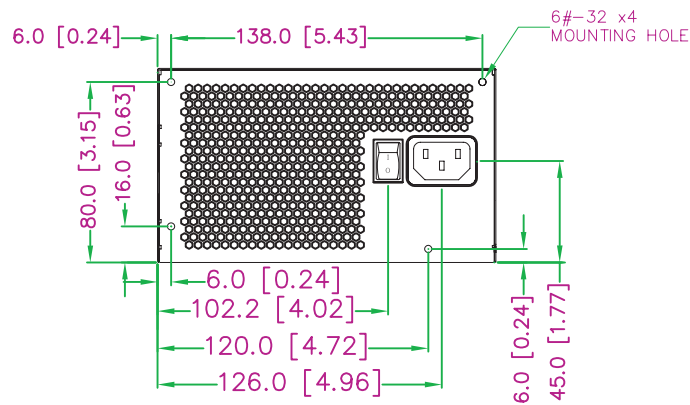
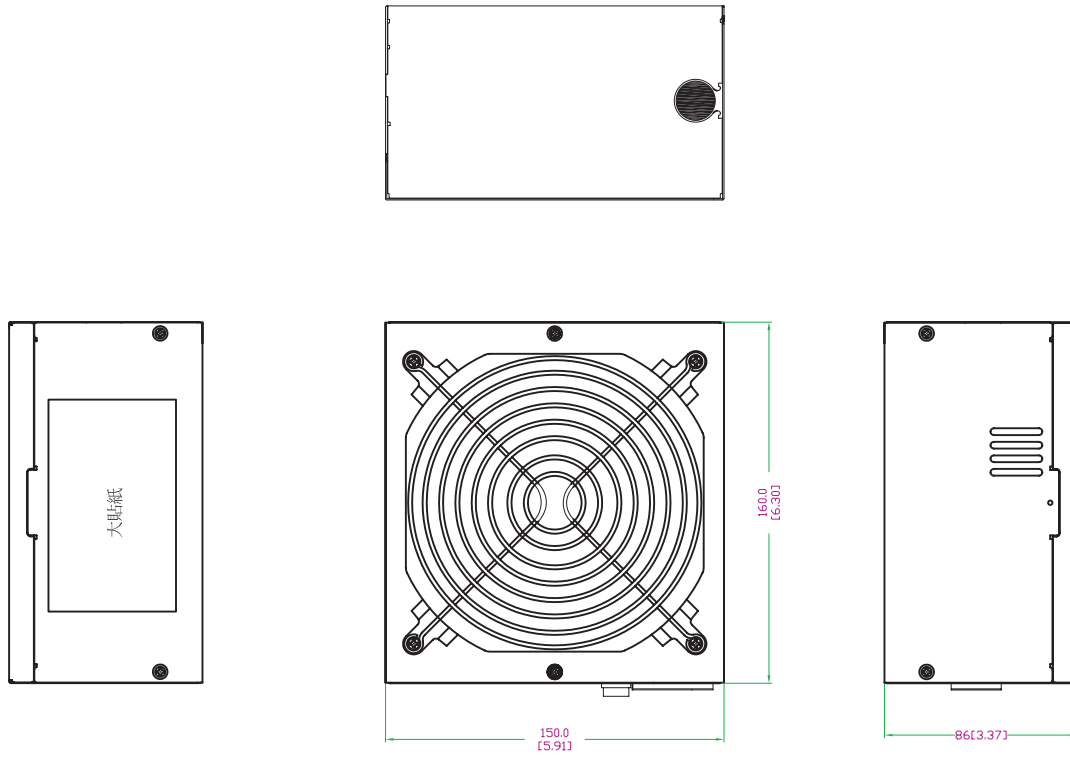
1. CUL (UL 60950)
2. TUV EN60950
3. CB (IEC 60950)
4. CE
5. CCC

6.3 HARMONIC

MEET IEC1000-3-2,Class D

7.0 DIMENSIONS

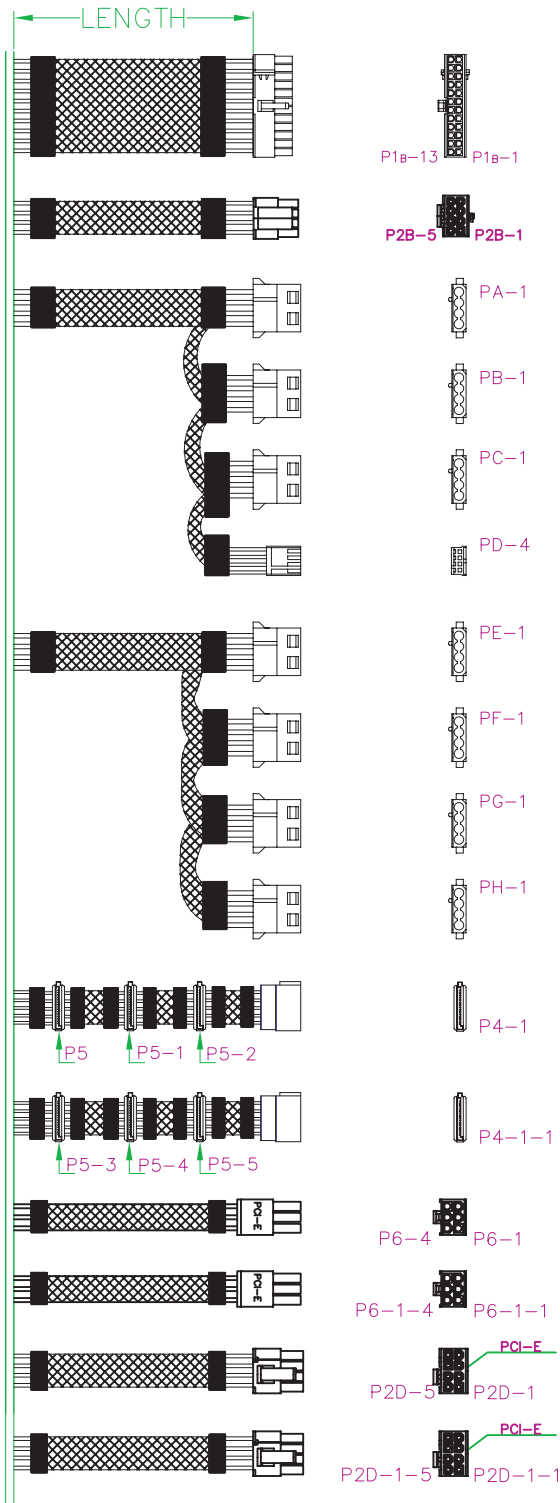
Y=V WxLxH=150x160x86mm **140mm FAN x1 ON TOP**



NOTE:

1. CASE TOP: G20-TCEPC09-M100
2. CASE BOT: G20-BCEPC42-M100
3. SECC T=0.8mm

TITLE CASE	DATE MAY 07. 2009	Rev. A	APPROVED RU. BOLTON	UNIT MM	REV. 0.1
			MODEL NO. P/N: P5600C 8G	TOLERANCES: .X = +0.2 .X = +/-0.15	SHEET 1/1



CONN	PIN	WIRE COLOR	OUTPUT	WIRE AWG	LENGTH	
P1B	1	ORANGE	+3.3V	18	500±25 (19.7±1.0)	
	2	ORANGE	+3.3V	18		
	3	BLACK	GND	18		
	4	RED	+5V	18		
	5	BLACK	GND	18		
	6	RED	+5V	18		
	7	BLACK	GND	18		
	8	GRAY	PG	20		
	9	PURPLE	+5VSB	18		
	10	YELLOW	+12V	18		
	10	YELLOW	+12Vs	20		
	11	YELLOW	+12V	18		
	12	ORANGE	+3.3V	18		
	13	ORANGE	+3.3Vs	20		
	13	ORANGE	+3.3V	18		
	14	BLUE	-12V	18		
	15	BLACK	GND	18		
	16	GREEN	PS-ON	20		
	17	BLACK	GND	18		
	18	BLACK	GND	18		
	19	BLACK	GND	18		
	20	NC	NC			
	21	RED	+5V	18		
	22	RED	+5Vs	20		
22	RED	+5V	18			
23	RED	+5V	18			
24	BLACK	GND	18			
P2B	1	BLACK	GND	18		
	2	BLACK	GND	18		
	3	BLACK	GND	18		
	4	BLACK	GND	18		
	5	YELLOW	+12V	18		
	6	YELLOW	+12V	18		
	7	YELLOW	+12V	18		
	8	YELLOW	+12V	18		
P2D P2D-1	1	YELLOW	+12V	18		
	2	YELLOW	+12V	18		
	3	YELLOW	+12V	18		
	4	BLACK	GND	18		
	5	BLACK	GND	18		
	6	BLACK	GND	18		
	7	BLACK	GND	18		
	8	BLACK	GND	18		
PA,PE	1	YELLOW	+12V	18		
	2	BLACK	GND	18		
	3	BLACK	GND	18		
	4	RED	+5V	18		
P5 P5-3	1	ORANGE	+3.3V	18		
	2	BLACK	GND	18		
	3	RED	+5V	18		
	4	BLACK	GND	18		
	5	YELLOW	+12V	18		
P6 P6-1	1	YELLOW	+12V	18		
	2	YELLOW	+12V	18		
	3	YELLOW	+12V	18		
	4	BLACK	GND	18		
	5	BLACK	GND	18		
	6	BLACK	GND	18		
PB,PC PF,PG PH	1	YELLOW	+12V	18		
	2	BLACK	GND	18		
	3	BLACK	GND	18		
	4	RED	+5V	18		
PD	1	RED	+5V	20		
	2	BLACK	GND	20		
	3	BLACK	GND	20		
	4	YELLOW	+12V	20		
P4 P4-1 P5-1 P5-2 P5-4 P5-5	1	ORANGE	+3.3V	18		
	2	BLACK	GND	18		
	3	RED	+5V	18		
	4	BLACK	GND	18		
	5	YELLOW	+12V	18		

500±25
(19.7±1.0)

150±12
(5.9±0.5)

PART NO:G18-AT23570-M4XX(G18-AT23570-P4xx)
 G18-AS23570-M4XX(G18-AS23570-P4xx)
 G18-AI23570-M9XX(G18-AI23570-P9XX)
 G18-AI23570-MB00(G18-AI23570-PB02)
 G18-AD23570-M500(G18-AD23570-P502) *2EA
 G18-AA23570-M5XX(G18-AA23570-P5XX) *2EA
 G18-AS23570-M700(G18-AS23570-P702) *2EA

NOTE:

P1B	HOUSING: WST P4/P20-142002K7	OR EQU
	TERMINAL: WST I42002PS-2	
P2B	HOUSING: W.H P4-142002K3A	OR EQU
	TERMINAL: W.H P4-142002K4A	
PA,PB,PC PE,PF,PG	HOUSING: AMP 1-480424-0	OR EQU
	TERMINAL: AMP 60619-4	
PD	HOUSING: AMP 171822-4	OR EQU
	TERMINAL: AMP 170262-2	
P4 P4-1	HOUSING: WST: P5-112701	OR EQU
	TERMINAL: WST: I12701PS-00	
P5 P5-1~5	HOUSING: WST P5-112702	OR EQU
	TERMINAL: WST 112702PL	
P6 P6-1	HOUSING: MOLEX 5559-002	OR EQU
	TERMINAL: MOLEX 39-00-0060	
P2D P2D-1	HOUSING: P6-142002K19	OR EQU
	TERMINAL: MOLEX 39-00-0060	
P2	HOUSING: MOLEX 39-01-2040	OR EQU
	TERMINAL: MOLEX 39-00-0060	

TITLE CABLE	DATE MAY 07. 2009	Rev. A	APPROVED RU. BOLTON	UNIT MM	REV. 0.1
			MODEL NO P/N: P5600C 8G	TOLERANCES: .X = +0.2 .X = +0.15	SHEET 1/1