

6W UK Type 5-24VDC Output

Features

- Efficiency Level VI
- Overcurrent Protection
- Short Circuit Protection
- Input Protection
- RoHS Compliant



General

- Insulation Resistance
- Primary to Secondary 50Mohm Min.
- Efficiency Level VI
- Standby Power 0.1W Max.
- Leakage Current 0.25mA Max.

Environmental

- Operating Temperature 10°C~40°C
- Cooling Convection
- Temperature Coefficient 0.05%/°C
- Humidity 5~95%RH(non-condensing)
- Storage Temperature -20°C~+80°C

Mechanical

- Dimensions 42*38.7*23.7mm

Model Selection

Part Number	Output Voltage	Output Current	Ripple & Noise	Efficiency
W050007YY-UK	5V	650mA	100mv	VI
W050010YY-UK	5V	1000mA	100mv	VI
W050012YY-UK	5V	1200mA	100mv	VI
W090005YY-UK	9V	500mA	100mv	VI
W120005YY-UK	12V	500mA	100mv	VI
W240003YY-UK	24V	250mA	100mv	VI

Input

- Input Voltage 90~264VAC
- Input Frequency 47~63Hz
- Input Current 1.2A Max.
- Inrush Current 40A Max.

Output

- Output Voltage Range 5~24V
- Output Current Range 100~1200mA
- Output Power Range 0~6W
- Short Circuit Protection 2A Inner Current Fuse
- Over-Current Protection Automatic Recovery
- Ripple and Noise 100mVp-p Max.
- Turn OnTime 20-30mS Nom.
- Line Regulation 1% Max.
- Output Regulation ±5%

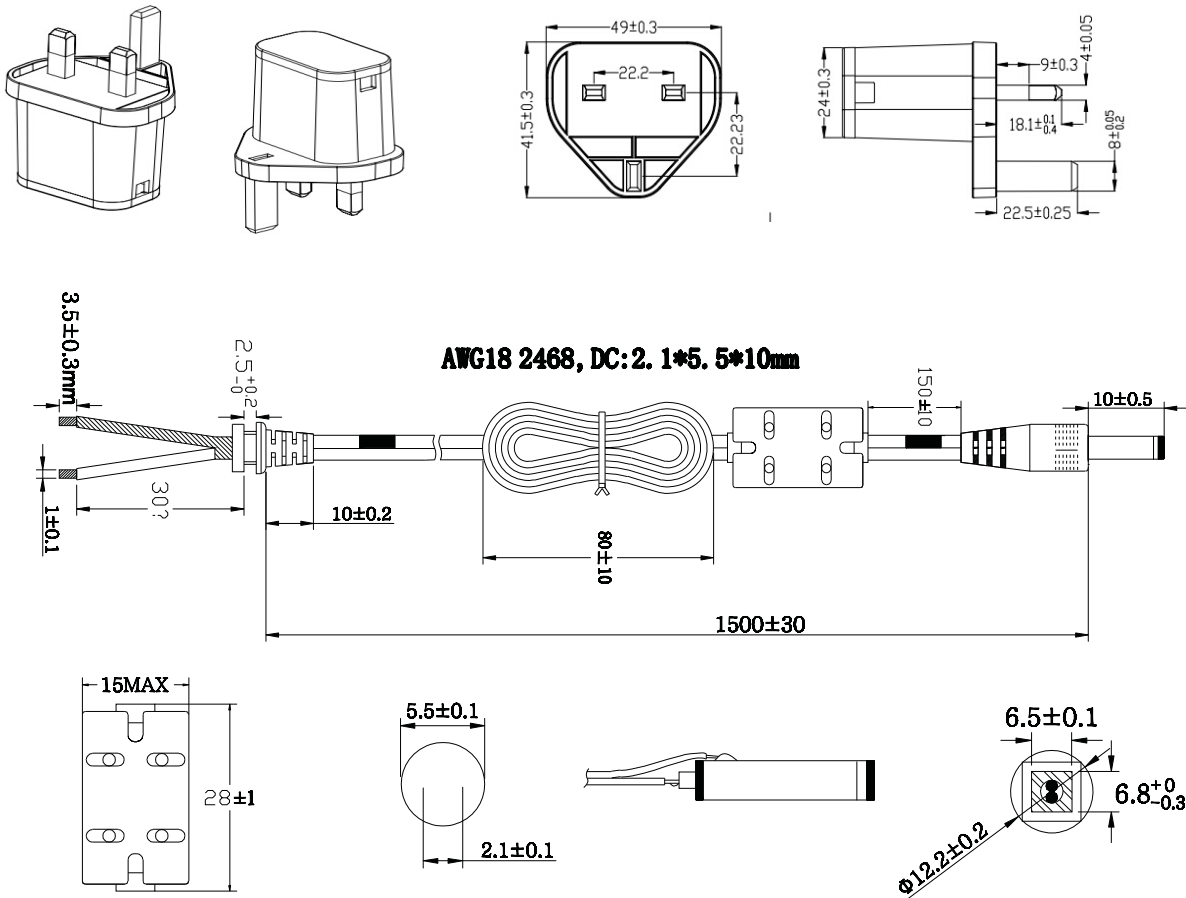
Print Name

Signature

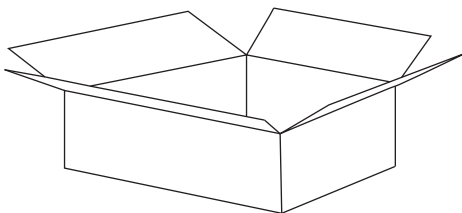
Company

Date

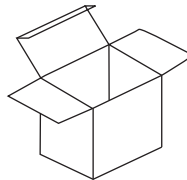
Mechanical Drawing



Packing



Master Carton:
470x365x230mm
15KG/carton
150pcs/Carton



Inner White Box