

SPECIFICATION

High Quality Switching Wallmount Adapter Interchangeable AC Plugs

Universal AC Input
USB Output 10W 5VDC 2.0A

P/N: W050020GPXU

****Specification Approval****

This specification (total 11 pages including cover page) is approved in it's entirety by:

Company Name

Print Name

Signature

Date



Santa Clara, California 95054 U.S.A

Tel: 1-408-980-9813

Fax: 1-408-980-8626

Email: infor@topmicro.com

Web: www.topmicro.com

012011V1.0

1.INPUT:

1.1 Rated Input Voltage:	100-240VAC
1.2 Tolerable Input Voltage:	90-264VAC
1.3 Rated Input Frequency:	60/50Hz
1.4 Tolerable Input Frequency:	63/47Hz
1.5 AC Input Rated Current:	0.4A Max. @ 100VAC
1.6 AC Input Max. Power (no load):	0.3W Max. @ 230VAC
1.7 Inrush Current:	30A Max. @ 100VAC cold start 60A Max. @ 230VAC cold start
1.8 Leakage Current:	0.25mA Max.

2. Output Characteristics

2.1 Rating Output Voltage:	5V
2.2 Rating Output Current:	2A
2.3 Min. Load Current	0A
2.4 Output No Load Voltage:	5V±5%
2.5 Output Load Voltage:	5V±5%
2.6 Output Ripple & Noise:	120mV Max.

3. General Characteristics

3.1 Max Output Power:	10W
3.2 Efficiency:	73% Min. @ full load & input 230VAC 73% Min. @ full load & input 115VAC
3.4 Short Circuit Protection:	Protection against short circuit for output. The output can be shorted premanently without damage.
3.5 Overshoot / Undershoot:	5V±10%
3.6 Any protect condition shall cause no damage and no component fail.	Automatic recovery when removal of protect condition.

4. Environmental:

- 4.1 Operating Temperature: 0 to 40 degrees celsius
- 4.2 Storage Temperature: -25 to +85 degrees celsius
- 4.3 Operating Relative Humidity: 8% to 90%
- 4.4 Storage Relative Humidity: 5% to 95%

5. Agency Standards:

- UL1950
- EN60950
- EN55022
- GB4943

6. EMI standard: FCC Class B, CE, VCCI-II

7. HI-POT:

- Primary to secondary: 4242VDC for 1 minute 5mA (Safety test)
- Primary to case: 4525VDC for 3 secs 5mA (Production test)

8. Insulation Resistance:

- Input to output: >10Mohm. @ 500VDC

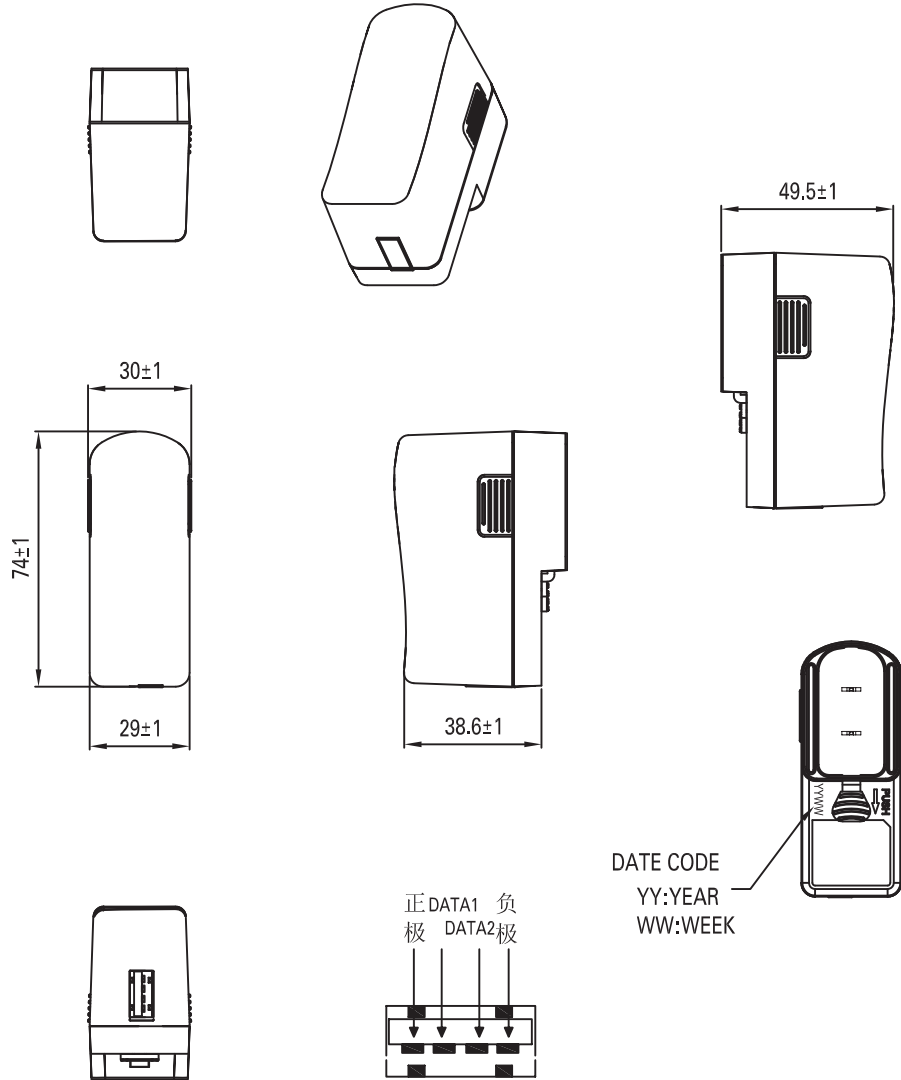
9. Reliability:

- 9.2 Burn-in: 2hrs, 40+/-5 degrees celsius; ON/OFF cycling full load nominal line
- 9.3 Altitude: Will operate properly up to 10,000ft.

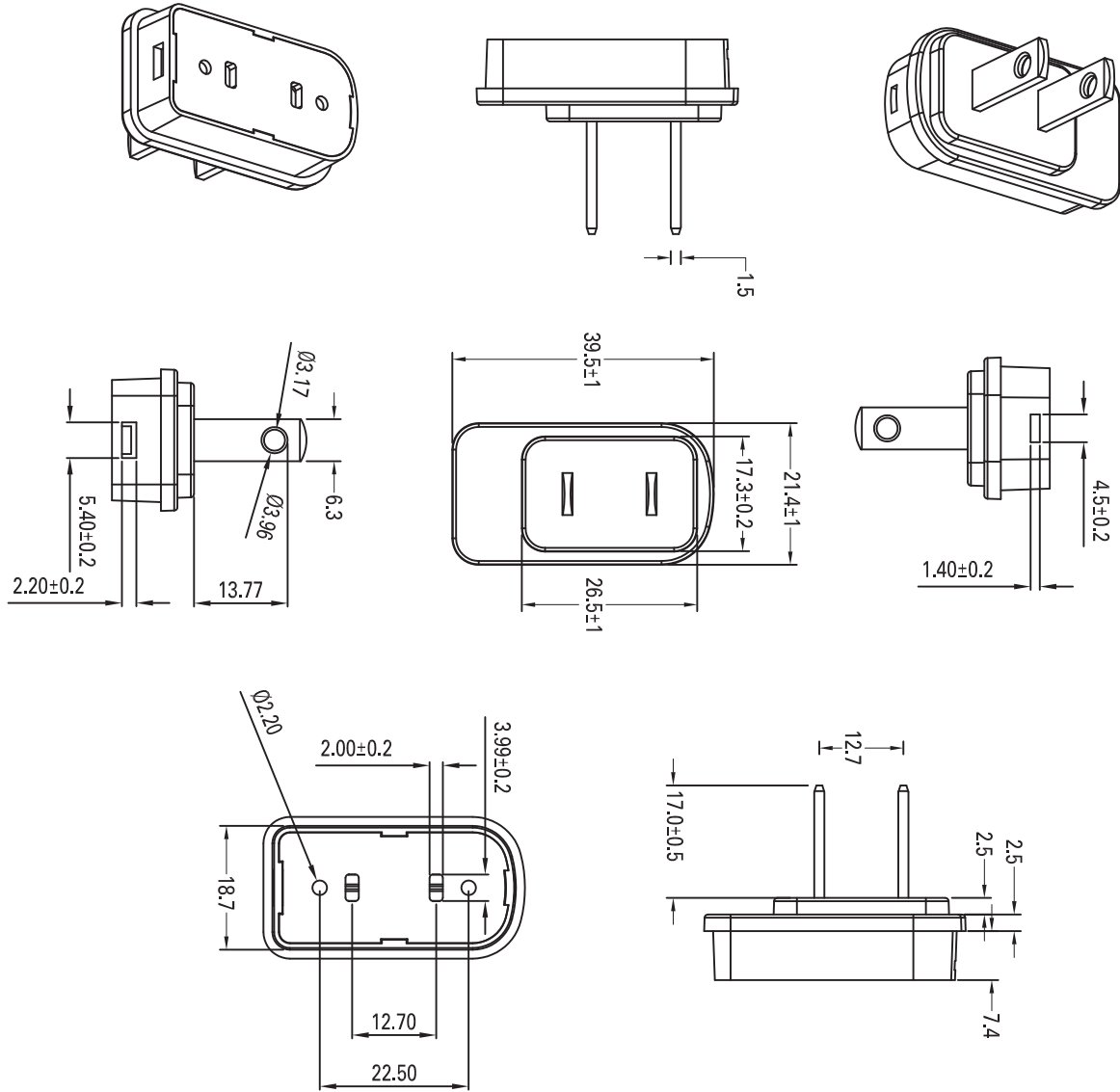
10. Mechanical

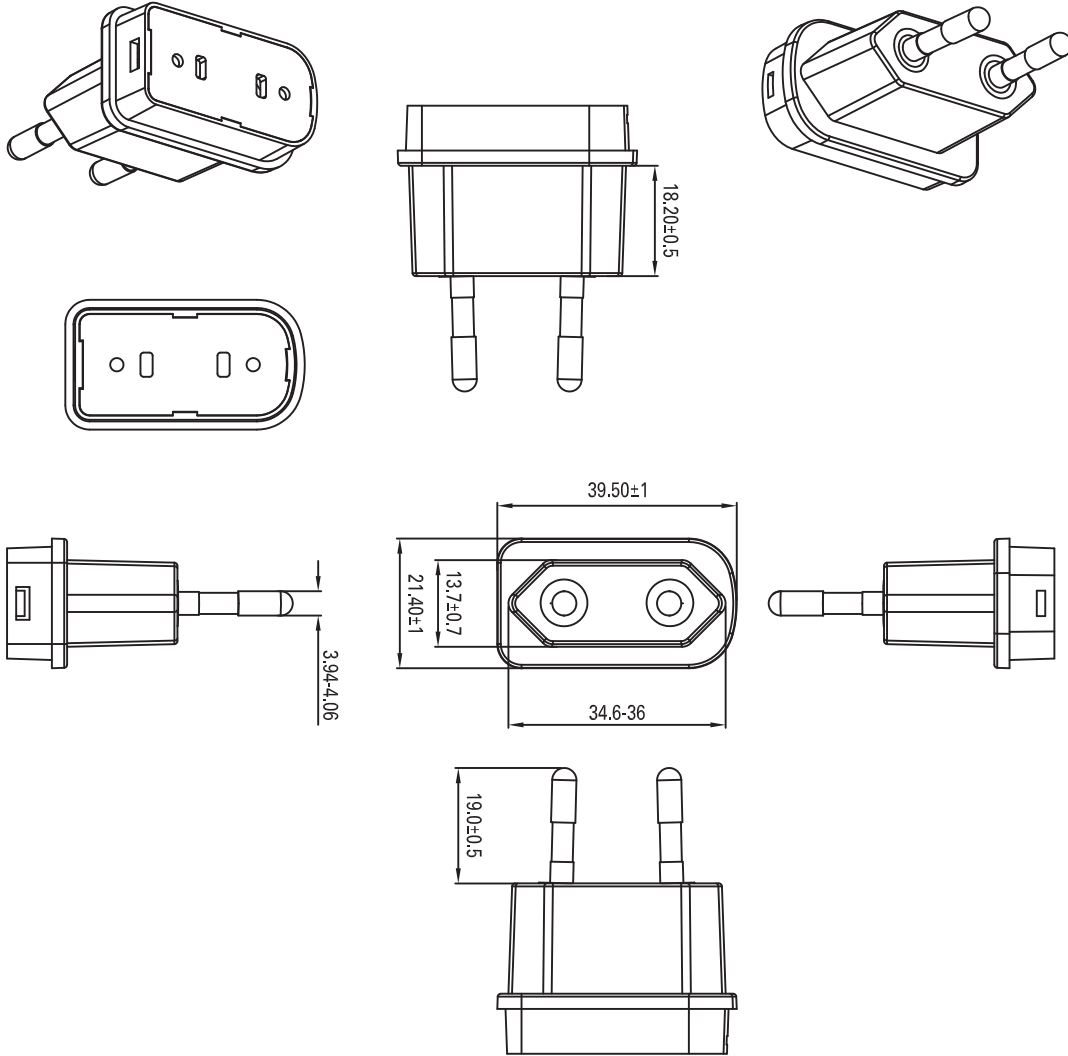
- 10.2 Weight: 90.7g

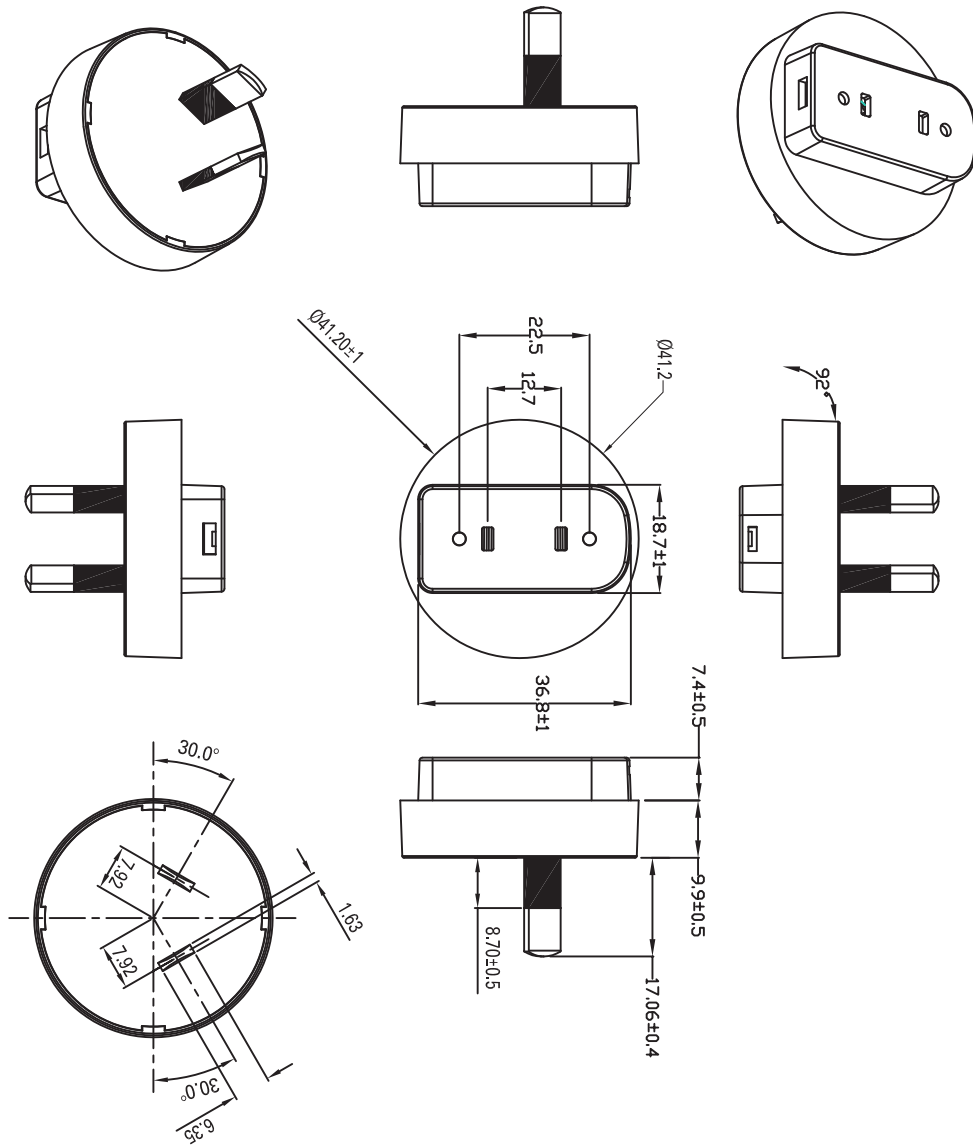
12. Mechanical Drawing:

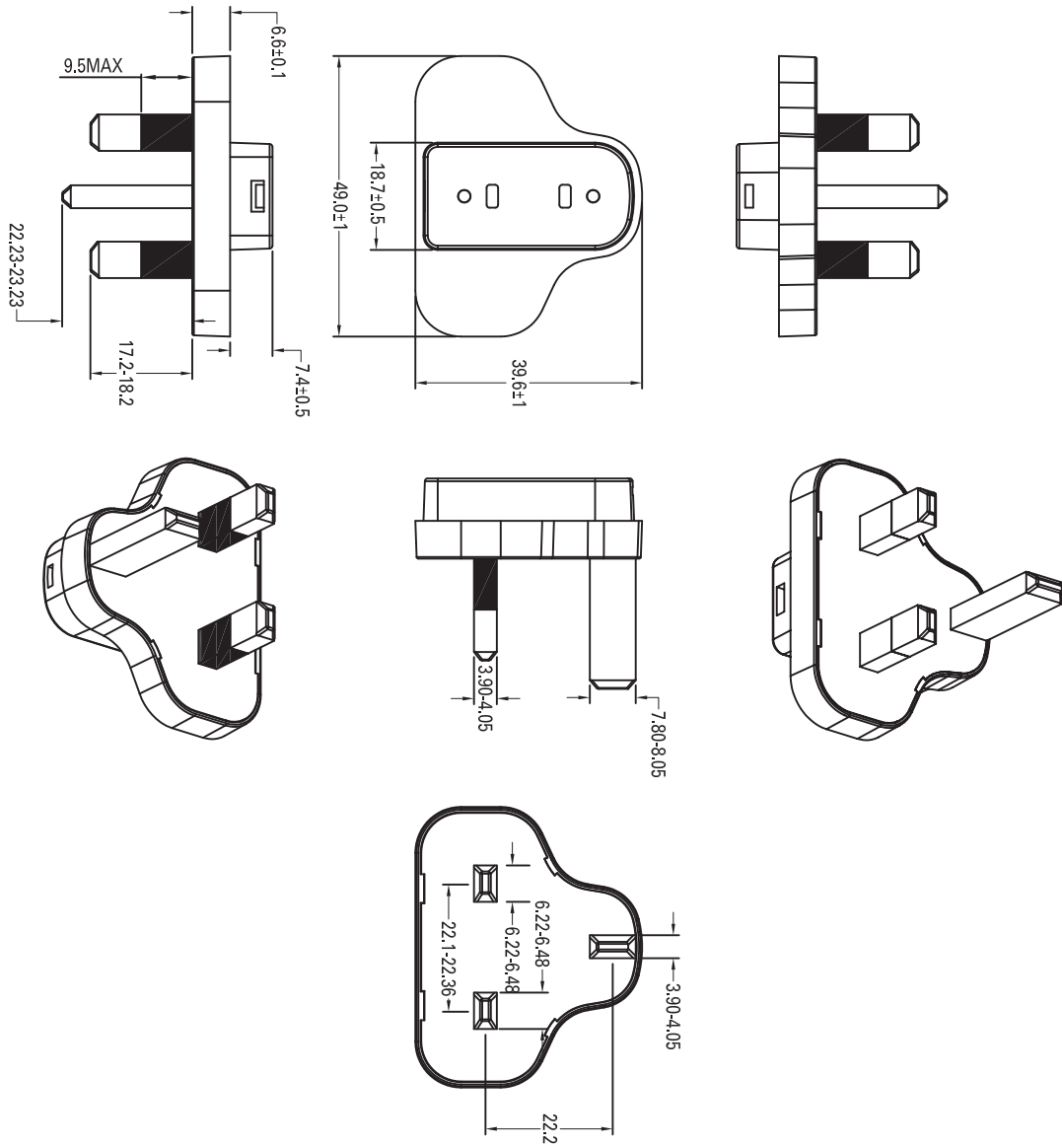


13. AC Plugs

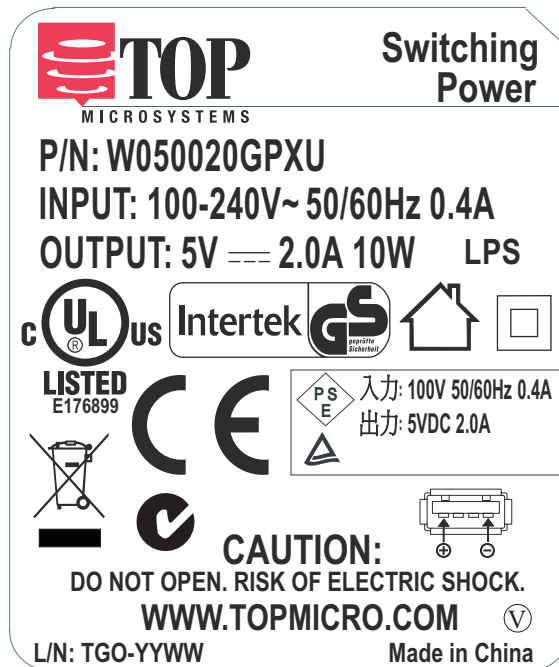






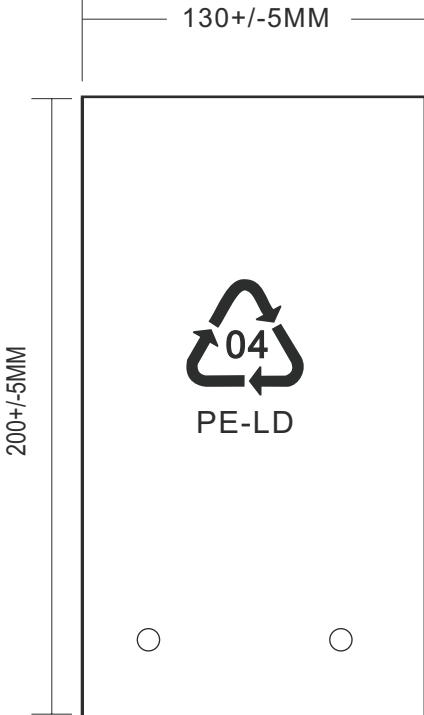


14. Label



4:1 Scale

15. PE Bag



16. Packing

