

P/N: W059025YY-UK
15W 5.9VDC Output

Features

- DOE Efficiency Level VI
- UL/cUL, FCC Approved
- Overcurrent Protection
- Short Circuit Protection
- Input Protection
- RoHS Compliant



General

Primary to Secondary 50Mohm Min.
 Efficiency Level VI
 Standby Power 0.1W Max.
 Leakage Current 0.25mA Max.

Input

Input Voltage 90~264VAC
 Input Frequency 47~63Hz
 Input Current 1.2A Max.
 Inrush Current 40A Max.

Environmental

Operating Temperature 10°C~40°C
 Cooling Convection
 Temperature Coefficient 0.05%/°C
 Humidity 5~95%RH(non-condensing)
 Storage Temperature -20°C~+80°C

Output

Output Voltage 5.9V
 Output Current 2500mA
 Output Power Range 0~15W
 Short Circuit Protection Automatic Recovery
 Over-Current Protection Automatic Recovery
 Ripple and Noise 240mVp-p Max.
 Turn OnTime 20-30mS Nom.
 Line Regulation 1% Max.
 Output Regulation ±5%

Mechanical

Dimensions 75*52*23mm

Model Selection

Part Number	Output Voltage	Output Current	Ripple & Noise	Efficiency
W059025YY-UK	5.9V	2500mA	120mv	VI

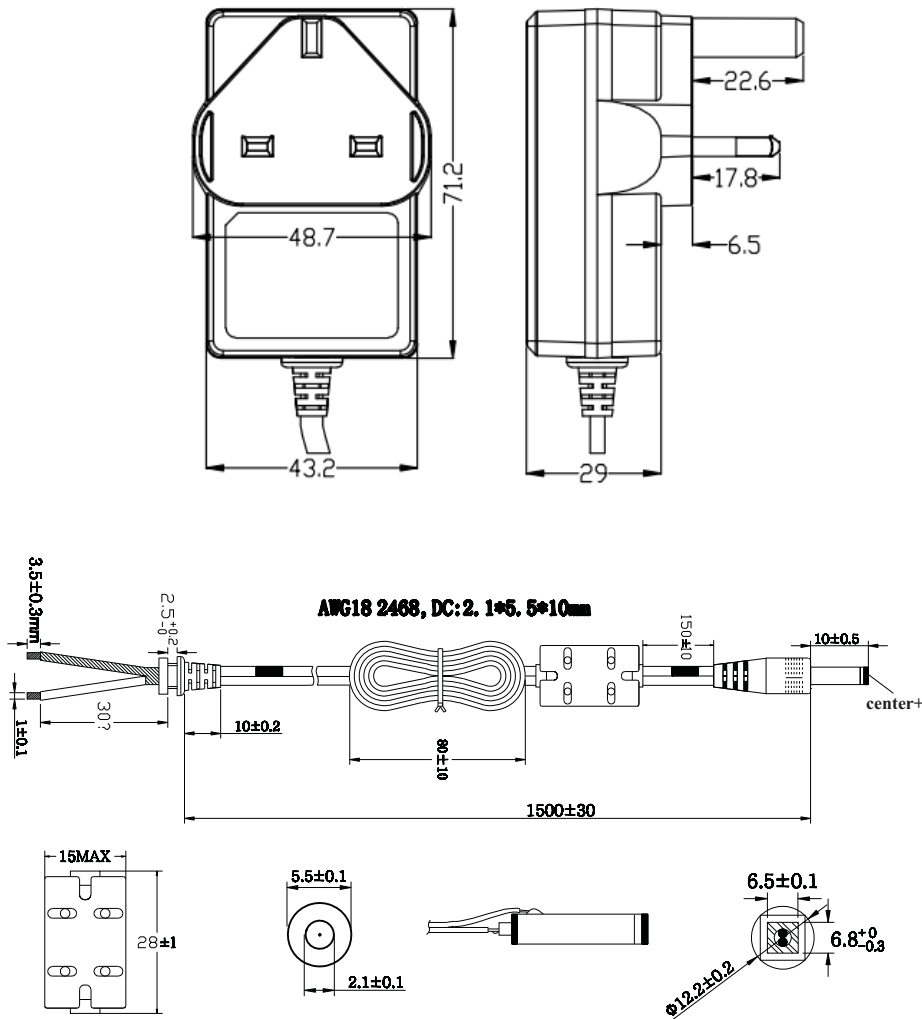
Print Name

Signature

Company

Date

Mechanical Drawing



Packing



Master Carton:
100pcs/Carton