

SPECIFICATION

High Quality Interchangeable Wallmount Adapter

Universal AC Input
12W 12.0VDC 1.0A Output

P/N: W120010GPX

****Specification Approval****

This specification (total 7 pages including cover page) is approved in it's entirety by:

Company Name

Print Name

Signature

Date



Santa Clara CA 95054
Tel: 1-408-980-9813
Fax: 1-408-980-8626
Email: infor@topmicro.com
Web: www.topmicro.com

1. Input

- 1.1 Rate input voltage: 100-240VAC
- 1.2 Vibration input voltage range: 90-264VAC
- 1.3 Rate input frequency: 50/60Hz
- 1.4 Vibration Rate input frequency: 47/63Hz
- 1.5 AC input Rated current: 0.4A Max. @ 100VAC
- 1.6 AC input Max power(No load): 0.3W Max. @ 230VAC
- 1.7 Inrush Current: 30A Max. @ 100VAC cold start
60A Max. @ 230VAC cold start
- 1.8 Leakage current: 0.25mA Max

2. Output

- 2.1 Rating output voltage: 12V
- 2.2 Rating output current: 1A
- 2.3 Min. load current 0A
- 2.4 Output no-load voltage: 12V±5%
- 2.5 Output load voltage: 12V±5%
- 2.6 Output ripple & noise: 200mV max.

3. General characteristics

- 3.1 Max output power: 12W
- 3.2 Efficiency measurement : 77.9% (Min.) @ full load & input 230VAC, Output set to 12V/1A.
77.9% (Min.) @ full load & input 110VAC, Output set to 12V/1A.
- 3.3 Efficiency : 77.9% (Min.) @ 115Vac 60Hz and 230Vac 50Hz input,
and 25%, 50%, 75%, 100% of full load after 10minutes warm-up.
i.e. meet CEC efficiency level V and EUP.
- 3.4 Short circuit protection: Protection against short circuit for output.
The output can be shorted permanently without damage.
- 3.5 Overshoot / Undershoot: 12V±10%
- 3.6 Any protect condition shall cause no damage and no component fail.
Automatic recovery when removal of protect condition.

4. Environmental:

- 4.1 Operating temperature: 0°C~40°C
- 4.2 Storage temperature: -25°C~85°C
- 4.3 Operating relative humidity: 8% to 90%
- 4.4 Storage relative humidity: 5% to 95%

5. Safety standard :

UL1950
EN60950
EN55022
GB4943

6. EMI standard :

FCC Class B, CE, VCCI-II

7. HI-POT test

- Primary to secondary: 4242VDC for 1minute 5mA(Safety test)
- Primary to case: 4525VDC for 3sec 5mA(Production test)

8. Insulation resistance

- Input to output: >10Mohm.@500VDC

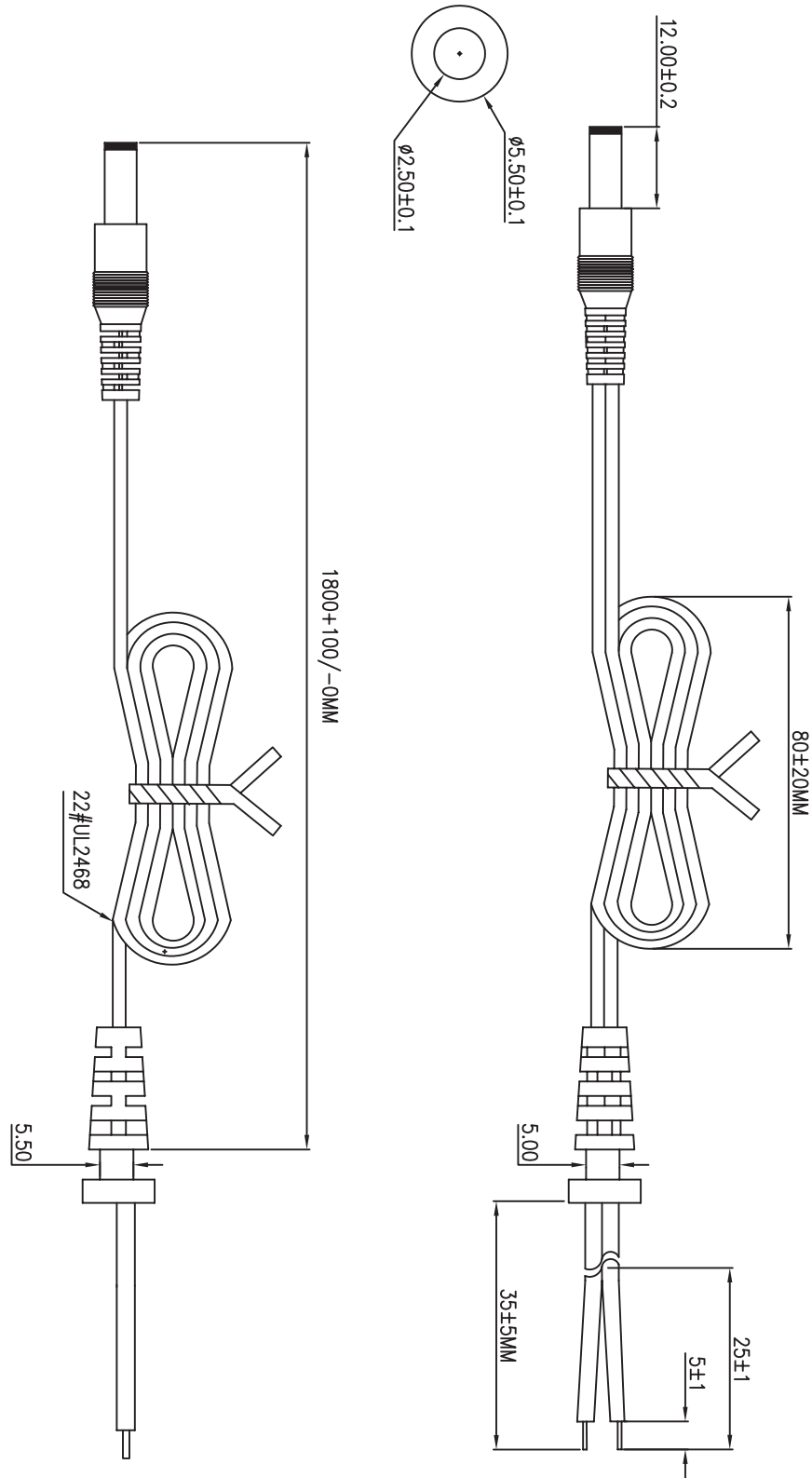
9. Reliability:

- 9.1 Burn-in: 2hrs, 40°C +/-5°C, 240VAC, ON/OFF cycling, full load nominal line
- 9.2 Altitude: Will operate properly at altitude between 0 to 10000ft

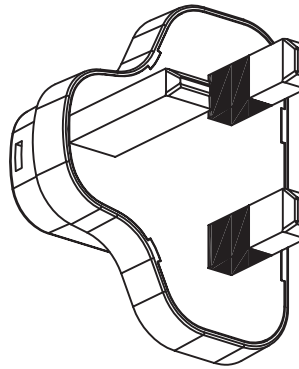
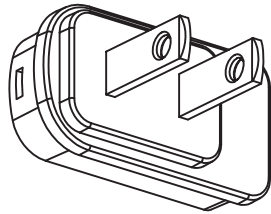
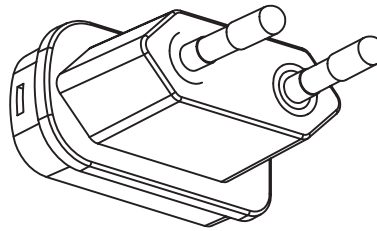
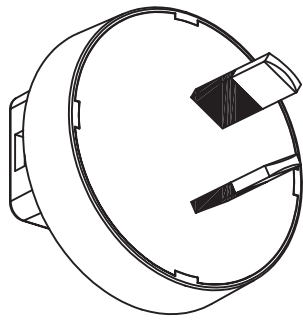
10. Mechanical

- 10.2 Weight: 164.8g

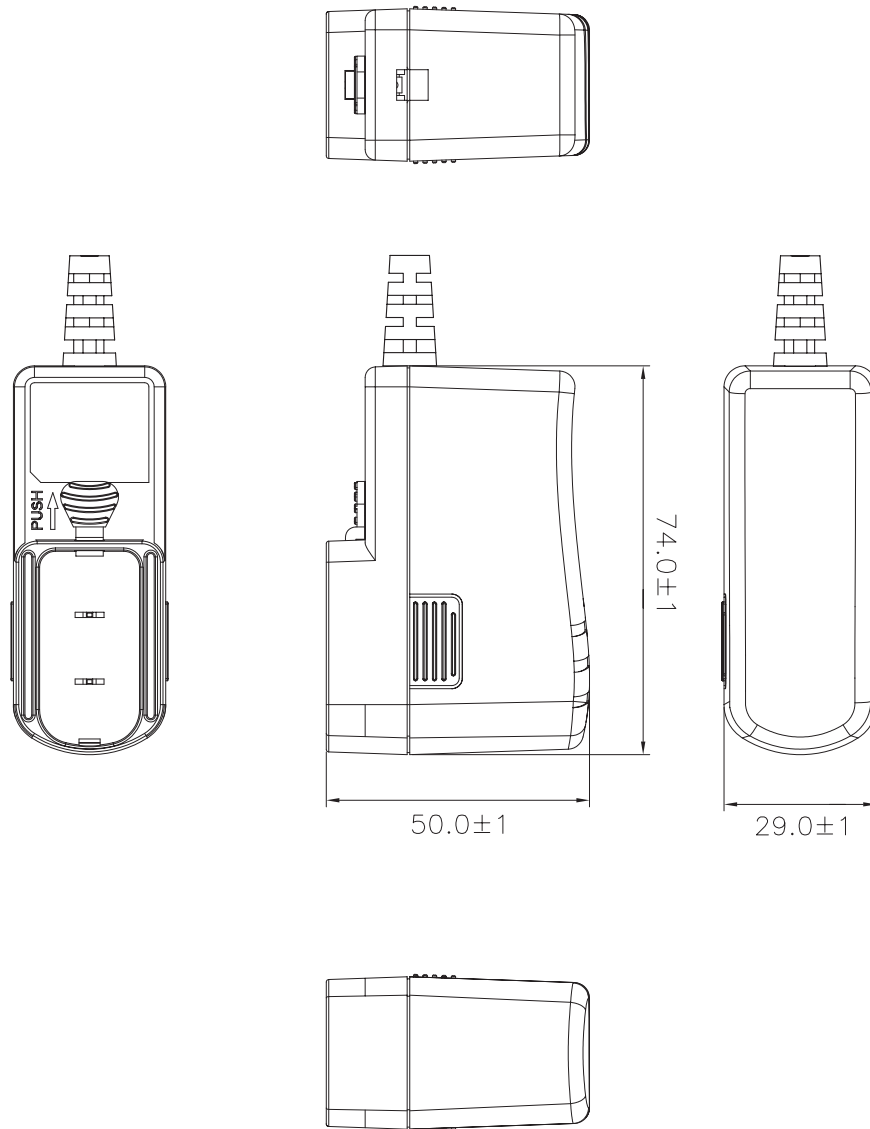
11. DC Cable & Plug



12. AC Plugs



13. Mechanical Drawing



14. Label

