

# SPECIFICATION

## High Quality Switching Wallmount Adapter Interchangeable AC Plugs

Universal AC Input  
18W 12VDC 1.5A Output



**P/N: W120015GPX**

**\*\*Specification Approval\*\***

This specification (total 7 pages including cover page) is approved in it's entirety by:

---

Company Name

Print Name

Signature

Date



California, U.S.A  
Tel: 1-408-980-9813  
Fax: 1-408-980-8626  
Email: [infor@topmicro.com](mailto:infor@topmicro.com)  
Web: [www.topmicro.com](http://www.topmicro.com)

## 1. Input:

1.1 Rated input voltage:	100-240VAC
1.2 Vibration input voltage range:	90-264VAC
1.3 Rated input frequency:	50/60Hz
1.4 Vibration rate input frequency:	47/63Hz
1.5 AC input rated current:	0.5A Max. @100VAC
1.6 AC input max power (no load):	0.3W Max. @230VAC
1.7 Inrush current:	30A Max. @100VAC cold start 60A Max. @230VAC cold start
1.8 Leakage current:	0.25mA Max

## 2. Output:

2.1 Rating output voltage:	12V
2.2 Rating output current:	1.5A
2.3 Min. load current	0A
2.4 Output no-load voltage	12V±8%
2.5 Output load voltage:	12V±8%
2.6 Output ripple & noise:	300mV

## 3. General:

3.1 Max output power:	18Watts
3.2 Efficiency:	80%(Min.)@full load & input 230VAC,Output set to 12V/1.5A. 80%(Min.)@full load & input 115VAC,Output set to 12V/1.5A.
3.3 Short circuitprotection:	protection against short circuit for output. The output can be shorted without damage.
3.4 Overshoot / Undershoot:	12V±10%
3.5 Switching Frequency:	60 KHz Typical
3.6 Any protect condition shall cause no damage and no component fail.	Automatic recovery when removal of protect condition.

#### 4. Environmental:

- 4.1 Operating temperature: 0°C~40°C  
4.2 Storage temperature: -25°C~85°C  
4.3 Operating relative humidity: 8% ~ 90%  
4.4 Storage relative humidity: 5% ~ 95%

#### 5. Safety standard :

UL60065  
EN60065  
EN55022

#### 6. EMI standard :

FCC Class B, CE, VCCI-II

#### 7. Hi-Pot test

- Primary to secondary: 4242VDC for 1minute or 4525VDC for 3sec  
Primary to case: 4242VDC for 1minute or 4525VDC for 3sec

#### 8. Insulation resistance

- Input to output: >10Mohm.@500VDC

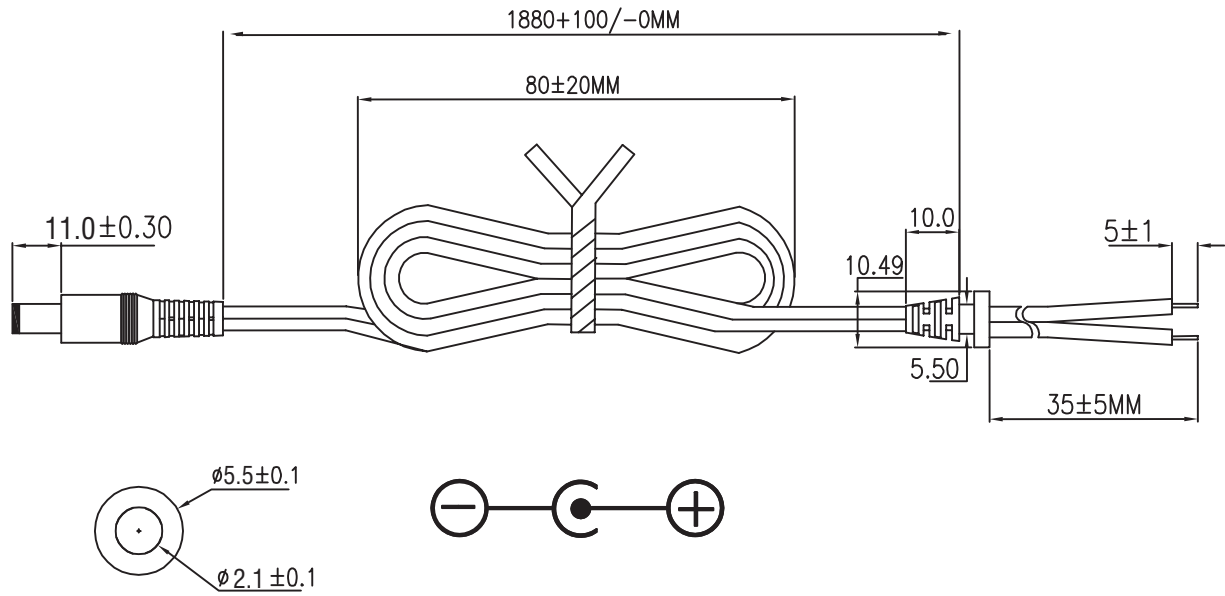
#### 9. Reliability:

- 9.1 Burn-in: 2 hrs, 40C +/-5C, 240VAC  
ON/OFF cycling full load nominal line  
9.2 Altitude: Will operate properly at altitude between 0 to 10,000ft.

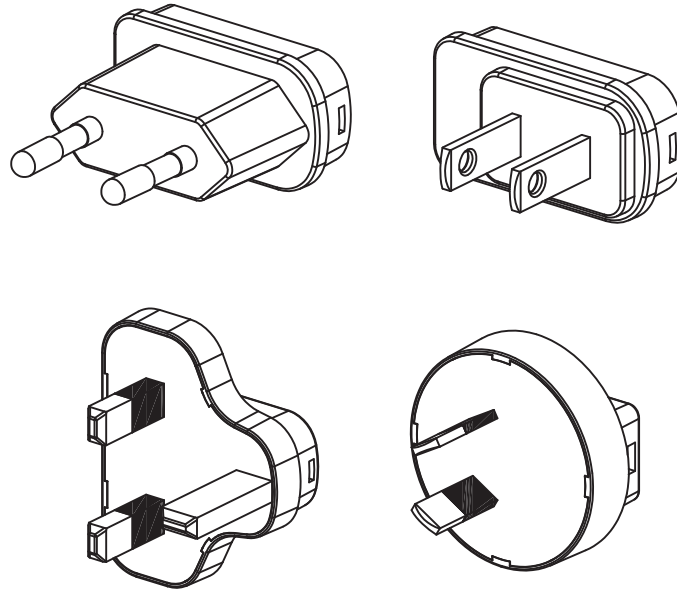
#### 10. Mechanical

- 10.1 Weight: 172.9g

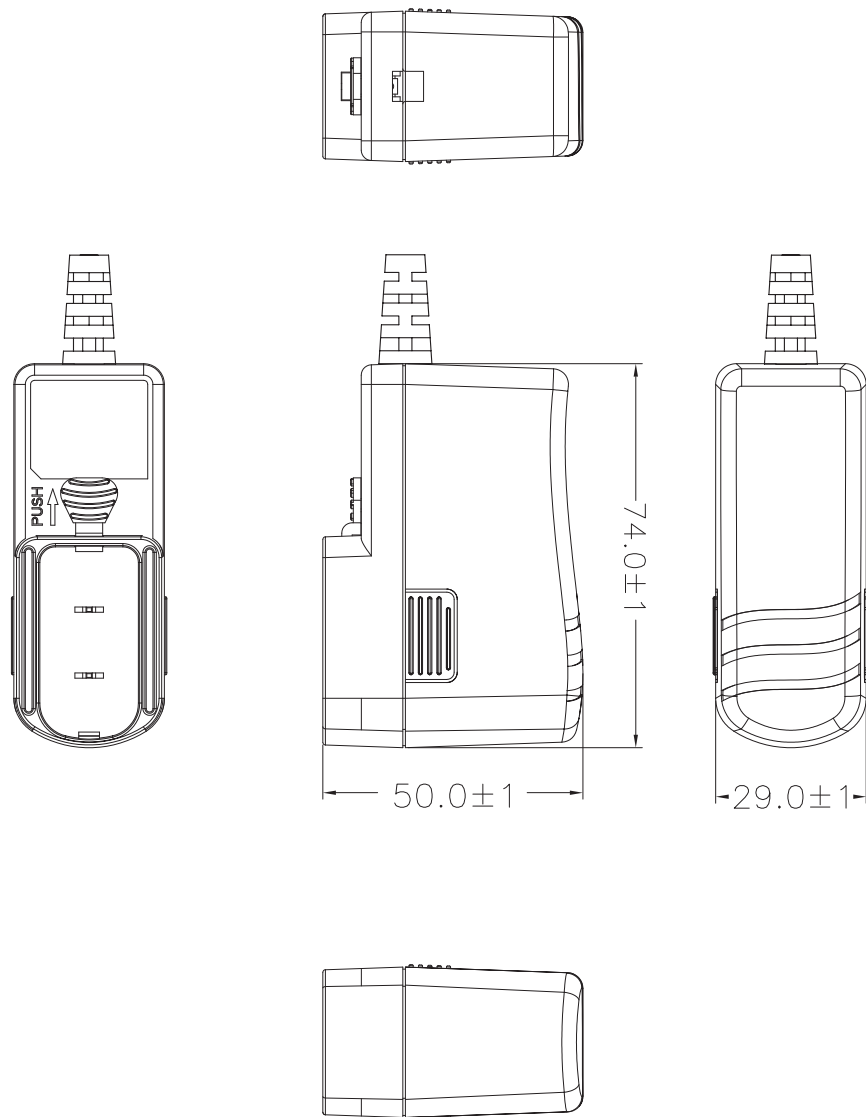
### 11. DC Cable & Plug



## 12. AC Plugs



### 13. Mechanical Drawing



14. Label

