

# SPECIFICATION

## High Quality Switching Power Adapter

Universal AC Input  
18W 15V 1.2A  
Single Output

**P/N: W150012YY-US**

**\*\*Specification Approval\*\***

This specification (total 6 pages including cover page) is approved in it's entirety by:

---

Company Name

Print Name

Signature

Date



Santa Clara CA 95054  
Tel: 1-408-980-9813  
Fax: 1-408-980-8626  
Email: [infor@topmicro.com](mailto:infor@topmicro.com)  
Web: [www.topmicro.com](http://www.topmicro.com)

## 1.0 Introduction

This specification defines the performance and electrical characteristics of a class 2, single output switching power supply providing 18W via single 15VDC output. It meets the requirements of lead free and RoHS and reaches CECV level efficiency.

## 2.0 Input

AC Input Voltage Rating	100Vac to 240Vac
AC Input Voltage Range	90Vac to 254Vac
AC Input Frequency Range	47Hz to 63Hz
Max. In-rush Current	30A for 100Vac full load 75A for 240Vac full load
Input Current Load	0.8A Max. @ 90V/60Hz full load
Standby Power	0.3W Max. @ 230V/50Hz

## 3.0 Output

Output Voltage Tolerance	+/-0.75V
Output Voltage	+15V
Min. Load Current	0mA
Max. Load Current	1200mA
Line Regulation	+/-1%
Load Regulation	+/-5%
Ripple & Noise	150mVp-p(max)

DC-20MHz/Ripple and Noise is measured on output connector with 20MHz oscilloscope bandwidth differentially with a 10uF electrolytic and 0.1uF ceramic capacitors across output

#### 4.0 Performance

Total Power	18W
Efficiency	Meet the standards of CEC Level V
Holdup Time	10sec. Min.@100Vac/60Hzfull load
Turn-on Delay Time	3 sec. Max.@100Vac/60Hz full load
Switching Frequency	65KHz Typ.

#### 5.0 Protection

Over-Voltage Protection	The output voltage shall be clamped by internal protection zener clamp.
Over-Current Protection	Output shut down (auto-restart)
Short-Circuit Protection	Output shut down (auto-restart)

#### 6.0 Environment

Operation Temperature	-20C to +40C
Operation Humidity	20% to 90% R.H.
Storage Temperature	-20C to +75C
Storage Humidity	0% to 90% R.H.

#### 7.0 Safety

##### 7.1 Regulatory Approvals

Agency	Standard
UL	UL 60950
FCC	FCC part 15

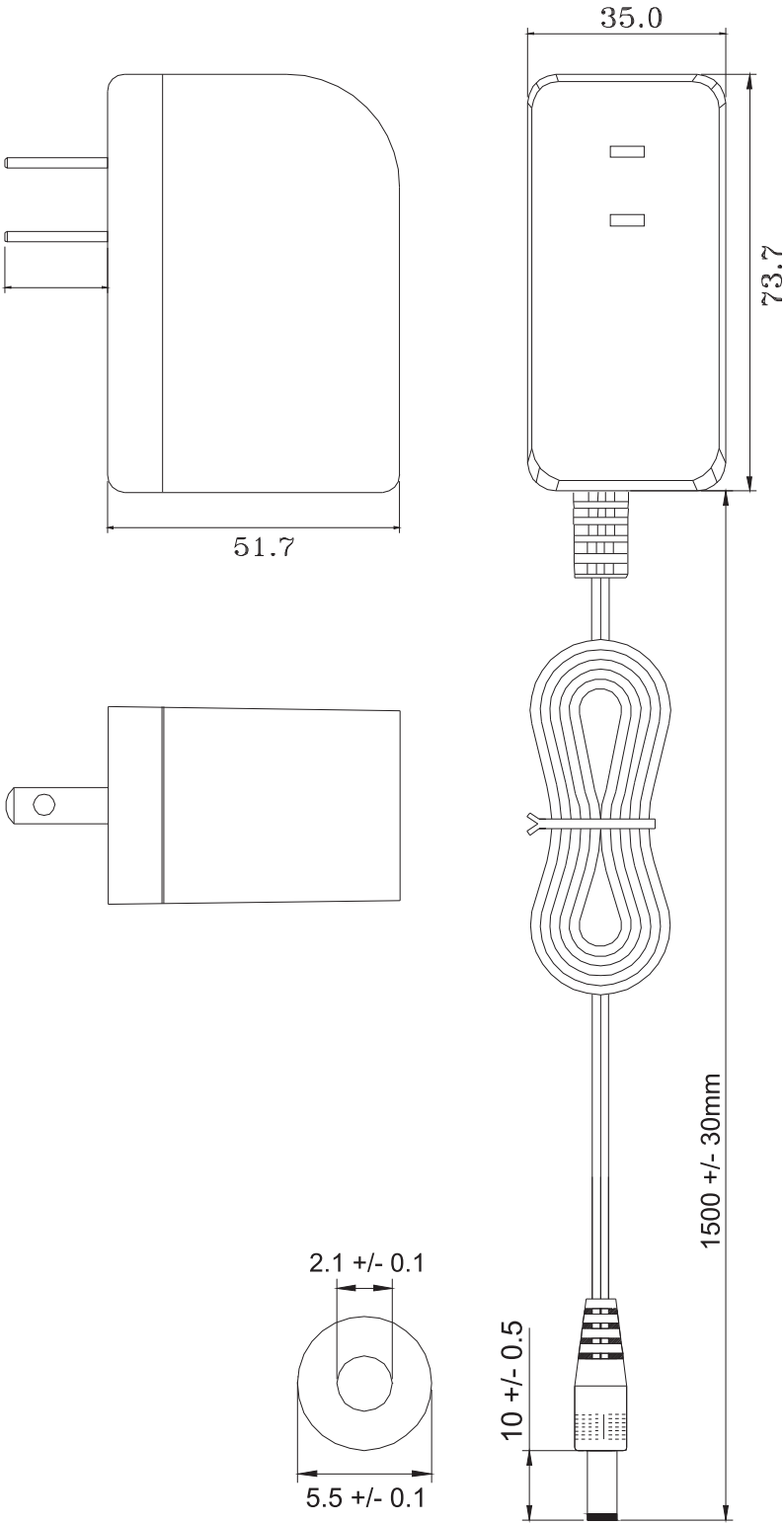
7.2 Dielectric withstand (Hi-pot) test

Input to output 3000Vac 10mA /60S

7.3 Insulation

Input to output DC 500V 10M ohm Min

8.0 Drawing



### 9.0 Label

